



DEALER HANDBOOK

 **Founder's Choice**[™]
CABINETS



Founder's Choice™ C A B I N E T R Y

OUR MISSION

We strive to be an industry leader in our market by surpassing the competition with customer satisfaction, while providing the best value possible. Our products and service reflect the craftsmanship and quality we would want in our homes.

ABOUT US

Founder's Choice integrates its "in-stock" cabinetry with built to order components to provide end products that are both cost effective and high quality. Our commitment to excellence guarantees high-quality in all the products bearing the Founder's Choice name.

CRAFTSMAN SERIES

Our Craftsman line is an opportunity for us to cater to a myriad of different styles and tastes. Quality, elegance, and style are what we think of when we hear the word Craftsman, it's features will add character to every home.

SELECT SERIES

Featuring the versatile shaker doorstyle, our Select series, has a design synonymous with simplicity and utility. We have built on that tradition with solid wood door faces, a variety of colors and finishes, and other premium features that will complement every home.

CONTENTS

- Company Policies**..... 3
- Warranty**..... 4
- Care & Maintenance**..... 6
- Dealer Program**
 - Dealer Responsibilities..... 8
 - Order Process & Policy..... 9
 - Order Form Instructions..... 11
 - Dealer Display Program..... 15
- Craftsman Series**
 - Overview..... 19
 - Series Options..... 21
 - Items List..... 23
 - Cabinet Specifications..... 31
 - Trim and Molding..... 61
 - Custom Cabinets..... 63
 - Modifications..... 64
- Select Series**
 - Overview..... 65
 - Series Options..... 67
 - Items List..... 68
 - Cabinet Specifications..... 73
 - Trim and Moldings..... 90
 - Modifications..... 91
- Glossary**..... 92
- Select vs. Craftsman at a Glance**..... 98

COMPANY POLICIES

ORDERING

We accept order forms via e-mail in the format the order form was created (Microsoft® Excel). Any orders that are not sent in via email using the Microsoft® Excel format may be delayed.

All orders must be filled out in their entirety (please see page 11). Please use proper and correct nomenclature when filling out order forms. Doing so will decrease confusion and ensure efficient customer satisfaction.

Please use multiple order forms for multiple color or style jobs – A separate order form is required for each doorstyle or finish.

CHANGES TO AN ORDER

Changes can be made to an order AT or BEFORE the time of order confirmation. All changes will be followed by an updated order confirmation which you will have to approve. Changes to an order at this point will affect the lead time. Once you have sent a final approval to our order processing department, the order cannot be changed.

CANCELLATIONS

Cancellations can be made to an order AT or BEFORE the time of order confirmation. Once you have approved the order to our order processing department, production cannot be stopped.

RETURNS

Founder's Choice builds to order. We only accept returns with prior approval from the Order Desk on Select cabinets that are in merchantable condition and finished with Select in-stock colors. A restock fee will be charged upon return.

ADDITIONS

Additions can be made to an order, but they may not ship at the same time as the initial order, and will have a new order number.

WILL CALL

Will call hours are **Monday through Friday from 8:00am – 11:30am and 12:00pm – 3:00pm**. We will help you load the products, but we cannot be responsible for securing the product in or on your vehicle. Holiday closures include: New Year's Day, Memorial Day, Independence Day, Labor Day, Thanksgiving Day and Christmas Day.

DELIVERY

We offer delivery within Western Washington with Founder's Choice vehicles. A charge applies to each order based on the mileage radius. Our driver does not leave our facility or load the vehicle until he has contacted the recipient.

SHIPPING

Shipping options are available, cost varies per job and will be quoted on a case-by-case basis.

PACKAGING

We protect all finished sides of our product before it leaves our facility.

LIFETIME LIMITED WARRANTY ON DRAWER GUIDES AND HINGES

Founder's Choice warrants to the original customer (for as long as they own their homes) that the drawer box, drawer guides and hinges used in the manufacturing of Founder's Choice cabinetry products shall be free from defects in material and workmanship under normal use.

THREE YEAR LIMITED WARRANTY ON CABINETS

Founder's Choice warrants to the original customer for a period of three years from the order's invoice date that all components of Founder's Choice cabinetry shall be free from defects in material and workmanship under normal use. These warranties are only applicable to products used in residential applications within the United States and Canada and are not transferable to subsequent owners. Should defects in material or workmanship exist during the applicable warranty period in any Founder's Choice product, Founder's Choice will elect—at its discretion—to either repair or provide a replacement of the defective material or component. This warranty covers only parts and materials of the products supplied by Founder's Choice. Not covered under this warranty are countertops, appliances, plumbing fixtures, labor, removal or reinstall of materials or related components such as fittings.

This warranty shall become void if the cabinets are in any way modified, improperly installed or damaged prior to or during the installation. This also disclaims products utilized in any application other than the standard. Furthermore, this warranty will not apply to cabinets damaged by misuse, neglect, abuse, acts of God, exposure to moisture, exposure to extreme temperatures or the effects of normal wear and tear.

THREE YEAR WARRANTY ON DOORS

Doors are warranted against defective workmanship, warpage, delamination, and twist for a period of THREE years from the order's invoice date. Door(s) may be deemed defective by the manufacturer if it exceeds the following tolerances:

1. A twist or warp of .062" per foot.
2. A length of finished product incorrect by more than .125".

CONDITIONS:

1. Any 5-piece door over 30" in width must receive a mullion, where applicable, to be eligible under this warranty.
2. Any 5-piece door over 48" in height must receive a mullion, where applicable, to be eligible under this warranty.
3. This guarantee only covers doors up to 60" in height.
4. Rustic doors will be covered for defective workmanship only.
5. Solid wood slab doors are in no way covered by this warranty.
6. Warping warranty will be void if product was allowed to fluctuate in temperature by more than 60 degrees.

WOOD STANDARDS

Natural woods may vary in color, characteristics, and exhibit subtle changes as they age. Sunlight, smoke, household cleaners and other environmental conditions may also affect the color match over time. These variations are considered to be the nature of the material in relation to their environmental exposure and are not covered under this warranty. The majority of hardwoods carry Sustainable Forest Initiative certification.

(WARRANTY CONTINUED ON PAGE 5)

WARRANTY

PAINTED FINISHES

Wood, by nature will undergo expansion and contraction movements year after year as it compensates and adjusts to ever-changing atmospheric humidity and temperature conditions. As such, finish stress lines may become visible on painted cabinets, especially at the joints. Any such occurrence is not considered a defect.

NORMAL USE

Normal wear and tear: A form of depreciation assumed to occur even when an item or object is used competently and with care and proper maintenance. It is expected that the normal use will not break the object beyond repair until it has gone through a significant amount of use.

DISCLAIMS

Founder's Choice reserves the right to alter design, specifications, and material without obligation to make similar changes to products previously manufactured. The repair(s) or replacement(s) are contingent upon the current product offerings of styles and construction options within the Founder's Choice product at the time of the warranty claim. If a warranty claim is filed after Founder's Choice products becomes obsolete, Founder's Choice reserves the right to honor the warranty in one of the following fashions:

1. To replace the affected component with a new component of the same type.
2. To replace the affected component and any other component(s) in the residential application to achieve a uniform appearance with a similar and comparable product style of the originally purchased style. If components are replaced, Founder's Choice cannot guarantee that the finish of these replacements will exactly match the finish and appearance of the components in the residential application. This is due to the changes that occur during the wood's natural aging process, affecting its color and grain.

THIS WARRANTY IS THE EXCLUSIVE WARRANTY OF FOUNDER'S CHOICE AND IS IN LIEU OF, ANY FOUNDER'S CHOICE DISCLAIMS, ALL OTHER WARRANTIES, EXPRESSED OR IMPLIED, INCLUDING THE IMPLIED WARRANTIES OF MERCHANTABILITY AND FITNESS FOR A PARTICULAR PURPOSE.

This warranty gives you specific legal rights and you may have other rights which vary from state to state. Some states do not allow the exclusion or limitation of incidental or consequential damages consequently, the above limitations or exclusions may not apply to you.

To obtain replacement(s) under Founder's Choice's Three Year and Lifetime Limited warranties contact your authorized Founder's Choice Cabinetry dealer or distributor who will arrange for inspection of the cabinet. A dated sales receipt as proof of purchase is required to obtain benefits from this warranty.

IF YOU HAVE DIFFICULTY OBTAINING ASSISTANCE, PLEASE CONTACT:

Founder's Choice Cabinetry
253.475.5544
6002 McKinley Avenue E.
Tacoma, Washington 98404

info@founderschoice.com
founderschoicecabinetry.com

WOODEN CABINETRY

Natural woods may vary in color, characteristics, and exhibit subtle changes as they age. Sunlight, smoke, household cleaners and other environmental conditions may also affect the color match over time.

These variations are considered to be natural with regard to the material in relation to their environmental exposure.

FOLLOW THE GUIDELINES BELOW TO ENSURE YOUR CABINET'S LONGEVITY:

1. **DO** wipe down with a damp cloth to remove dust – complete small sections at a time and wipe dry.
2. **DO** use warm soapy water with a soft lint-free cotton cloth, rinse with another wet or soft lint-free cloth, and dry with a third soft lint-free cotton cloth (avoid vigorous rubbing – this tends to raise glossy spots, marring the original effect).
3. **DO** use a damp cloth to clean any spills as they occur.
4. **DO** use warm soapy water to clean door/drawer knobs or pulls, thoroughly dry all hardware joints and surfaces. Buff the hardware with a clean dry cloth.
5. Do **NOT** use a dish cloth to wipe down your cabinet exterior since it may contain remnants of grease or detergents.
6. Do **NOT** use harsh chemicals or detergents, strong soaps, abrasive cleaning products, steel wool, self-polishing waxes, bleach or ammonia-based chemicals, solvents, petroleum, or silicone-based products.
7. Do **NOT** use products containing waxing and polishing compounds, they may build up on the surface of your cabinets and cause a hazy or streaky appearance. This build-up is difficult to remove and should be avoided.
8. Do **NOT** drape damp or wet dish towels over the door of a cabinet, moisture can cause permanent damage to the door over time.
9. Do **NOT** use spray type polishes containing petroleum as they are flammable and toxic.

NOTE: Many brass and silver polishes contain harsh chemicals that can damage the hardware's surface.

HINGES

Lubricate hinges annually for extended life and optimum performance with white lithium spray grease. If hinges loosen over time, tighten screws to restore hinges to their original operating condition.

GLASS DOORS

REQUIRE EXTRA CARE Spray an ammonia-free glass cleaner on a clean, soft, lint-free cloth or paper towel. Do not spray cleaner directly on the glass, it could seep behind the window dividers and cause damage.

WEAR & TEAR AROUND KNOBS AND HANDLES:

Frequent use of cabinet doors and drawers can cause wear around knobs and handles. Chemicals from our skin can break down the finish over time around knobs and handles. Repetitive fingernail and ring impact will damage the finish over time. This is normal "wear & tear" and is not considered a finish defect. Using the care and cleaning instructions outlined above on a routine basis will help to minimize finish wear and will help keep the cabinet finish beautiful for many years.

A touch-up kit should be provided upon delivery of cabinets for occasional scratches, gouges and nicks.



FOUNDER'S CHOICE

DEALER PROGRAM

“The dealer represents the manufacturer.
Both wish to be viewed in a professional manner.”

Founder’s Choice Dealers are held to basic requirements and responsibilities. Please help us start a great working relationship by taking the time to review our mutual expectations. We encourage you to consider having a Founder’s Choice Sales Hutch in your showroom (**see pages 15 and 16**).

THE DEALER WILL...

- Perform the design work for the customer’s space.
- Verify field measurements at the job site.
- Communicate and place orders directly with our order processing department.
- Ensure that orders are filled out as completely and accurately as possible (see order checklist on page 9). We ask that you use proper and correct nomenclature to avoid confusion.
 1. Hinging, notes, modifications, and accessories are included in the order form.
 2. A floor plan or cabinet layout with notes is required with each Craftsman order (and it is encouraged for Select orders).
 3. We ask that you use proper and correct nomenclature to avoid confusion. See the Glossary on Page 92 for Founder’s Choice terminology.
- Double check the order confirmation.
- Approve order confirmations in writing (email: orders@founderschoice.com, fax, etc.).
- Take initiative to market themselves (home shows, newspaper ads, web, etc.).
- Responsible for payments as your plan permits.

IF APPLICABLE: Prior to or at the time of turning in your first order, we prefer that you send in your Account Registration Form, Credit Application, and a Reseller Permit.

ORDER PROCESS

Below is an outline of the standard order process at Founder's Choice Cabinetry.

1. Dealer fills out the order form with all the required information and sends it to our order processing department in a Microsoft® Excel document.
2. Our order processing department enters the order into our software.
3. Our order processing department sends the Dealer a request for order confirmation via e-mail.
4. The Dealer checks this order confirmation request against their layout and order form.
5. The Dealer sends approval or changes to our order processing department. Without approval and/or payment, the order will not be processed.

AT THIS POINT THE ORDER IS CONSIDERED TO BE FINAL AND IS UNABLE TO BE MODIFIED

6. Following approval to the order confirmation, the parts, pieces, and raw materials are pulled from our warehouse or ordered as needed.
7. Those parts and pieces are then sent to manufacturing, the paint/finish shop, and assembly.
8. Upon completion of your order, the cabinets will be packaged to await delivery, pick-up or shipment.

PLEASE NOTE: We can only accept returns that meet certain conditions. See Returns on page 3 for details.

REQUIREMENTS TO SUBMIT AN ORDER

Before submitting your order request to Founder's Choice, please ensure that you have **signed copies** of each of the following:

- Order form in Microsoft® Excel format
- Layout (if available)
- Custom Quote and any relevant drawings

CABINET DELIVERY POLICIES

Our Cabinet Delivery Policies help us prepare and plan for the delivery of your products. The order form should specify whether the order is for Will Call or Delivery. If the order is for delivery we must have advance notice.

STANDARD DELIVERY INCLUDES:

- First threshold/garage delivery – We can bring our product into your house but not up 3 flights of stairs and down the hall.
- Some orders will be delivered by two Founder’s Choice employees and incur an extra charge, however other orders will be able to be handled by one employee.
- Please reference the **Modifications and Fees** tab of the Order Form for delivery charges.

DELIVERY DETAILS:

If any of the following options apply, include that note at the time of order.

- **1st floor home delivery**
- **2nd floor home delivery**
- **Outside/inside stairs**
- **Non-accessible driveway**
- **Additional delivery person needed**
- **Elevator delivery**
- **Contact info for the site**
- **Code/pass for entrance**
- **Call prior to delivery**

CUSTOMER INFORMATION

This section contains all the information we need to make sure the order is processed, delivered and billed correctly. It is important to have the order form filled out as completely and accurately as possible to avoid confusion. Once you have placed your first order, you may use your customer number instead of typing out your billing information. The order form will automatically adjust the available fields based on your ship to method. The **PO/Job Name** gives both of us something to reference, especially if you frequently purchase products from Founder's Choice and potentially have more than one open order in at a time.

TAX

In order to ensure accurate quoting, verify your tax rate. Search <http://dor.wa.gov> to verify the sales tax amount for the delivery address (in WA state). Please note that any will call order is a 10.1% sales tax rate. To process an order with no tax, type either "RESELLER" or "OUT OF STATE" in place of a tax rate.

DELIVERY AND SHIPPING

Please provide us with accurate information so we can plan your order effectively. Delivery cost can be found in the accessories tab at the bottom of the screen, however, we will quote the cost of shipping on a per-job basis.

REQUESTED DELIVERY DATE

Let us know what works best for you and we will try our best to be there. Always check the estimated delivery date on your final order confirmation, the timeline may change if the order confirmation process exceeds 24 hours.

FACTOR

The factor can be found in the space to the right of the order specifications. If you are unclear on what your factor is, please contact our order desk.

SPECIES

Different wood species will 'take' stain in different ways due to the natural characteristics of the wood, choose one of your preferences. Please choose the 'PG Maple' option for all painted Craftsman orders, please choose the White Birch option for all Select orders.

DOORSTYLE

Please refer to your Founder's Choice sales hutch, see page 21 of this Dealer Handbook, or the Founder's Choice brochure for doorstyle details. For custom doorstyles, please call our engineering department to discuss available profiles.

CUT FOR GLASS

If you would like to modify a cabinet for Cut for Glass or Mullions, select the cell to the right of the quantity cell and use the drop-down menu to select your desired option – the price will automatically change. Please refer to the '**Instructions**' tab of the order form for style definitions.

DRAWER HEAD

Drawer heads are available in 5-piece and slab. 5-piece drawer heads show the full doorstyle and slab drawer heads only shows the outer facing edge detail of the doorstyle. 5-piece drawer heads are cope and run construction and slab drawer heads are made of multiple hardwood staves on all styles except for the Bridgeport doorstyle.

COLOR

The standard Founder's Choice colors are listed and available on the order form. 'Catalog' colors refer to any color in the Rudd or Sherwin-Williams color fan deck. 'Match' color options are exactly what they sounds like, we'll match your sample!

Please call the Order Desk if you have any questions about specifying the name of your Catalog or Match colors.

FINISHED INTERIOR

This option provides a color or species matched interior. For 'color matched interior' orders, the species will be White Birch.

ITEM LIST

The cabinet code references the item code or nomenclature from the items tab. Enter one cabinet code per line (Note: The order form is not case-sensitive). Any amount is acceptable in the quantity column, but if you've got something outrageous in there, we're going to ask questions before processing.

NOTES

The 'Notes' column is your opportunity to include notes such as hinging or where accessories might be installed (roll-out shelves, recycle centers, etc.)

PRICES

The price columns should automatically fill in. If they don't, you should re-address the cabinet code input or quantity.

CUSTOM PRICE

The accessory price column is where you enter any additional costs for things like custom pricing. It is important you only enter numbers here, no lettering or notes. The accessory costs are totaled and added to the rest of the order at the bottom.

TOUCH-UP KIT

At the top of the order form, a touch up kit is always included, and is locked in. Should you decide that you do not need a touch up kit, you may delete the quantity of the touch up kit.

ADDITIONAL TABS

ACCESSORIES This tab lines out any accessories that can be added to your order and includes pricing for each accessory. Record the accessory name just like an item code. Please place the name of the accessory item in the notes field of the item that is to contain the accessory.

MODIFICATIONS AND FEES This tab contains all of the potential modifications that Founder's Choice offers. Please note that Founder's Choice reserves the right to correct improperly recorded modifications or fees.

ITEMS Simply, this is a tab with cabinet nomenclature of every cabinet offered. It is ordered alphabetically, beginning with numbers first. This would be the first place to look to see if we make a cabinet you are unsure about.

JOB OPTIONS This tab displays all of the price modifications that the order form automatically calculates.

ORDER FORM SAMPLE

Thank you for providing complete order information.



Customer Name: ABC Company
 Contact Name: John Doe
 Customer PO: Kitchen
 Telephone: (253) 555-3815
 Email: abccompany@gmail.com
 Quote Date: 1/1/2018
 Sales Rep: _____
 Customer No.: _____
 Requested Delivery Date: _____

Dealer Order Form: [Check Updated Order Form](#)

Bill to Name: ABC Company
 Address: 1234 Main Street
 City: _____
 State: _____
 Zip: 98404
 Ship to Method:
 Same as Bill To Address
 Ship to Name: John Doe
 Address: 4321 Minor Street
 City: _____
 State: _____
 Zip: 98404
 Total Tax Rate: 10.1%
 Delivery Cost: \$ 150.00
 Extra Delivery Driver: \$ 75.00

Order Specifications

Species: Color:
 Drawer Head:
 Custom Finish: Door Style:

Craftsman Order: Lead Time After Approved Order Approximately: 6-8 Weeks

Cabinet Code	Count	Cut for Glass-Clear? Divided? Framed?	Dual Tone and Finished Interior?	Drawings?	Order Type	Applied Skins?	NOTES	Cabinet Price	Total	Custom Price
TOUCH UP	1				SEL			14.40	14.40	
W2436	1	CFG-Divided	CMI		CR	Both		834.93	834.93	
Wskin36	2				SEL		W2436	34.56	69.12	
W2436	1	CFG-Divided	CMI		CR	Left		819.93	819.93	
Wskin36	1				SEL		W2436	34.56	34.56	
CUSTOM-CABINET	1			Yes	CR		QUOTE 00123 - WR1520			543.21
WOS0636	2				SEL			127.68	255.36	
RW3612	1				SEL			248.64	248.64	
UC1890	1				SEL	HL		788.16	788.16	
W2436	1				SEL			343.68	343.68	
WEZR2436	1				SEL			502.08	502.08	
B15	1				SEL	Left	HR	305.88	305.88	
BSKIN	1				SEL		B15	52.80	52.80	
SB36	1				SEL		MOD to Single Drawer	456.00	456.00	
MOD-SINGLE DOUBLE DRAWER	1				CR		Single Drawer Face B36	75.00	75.00	
3DB33	1				CR			1,313.65	1,313.65	
B21	1				CR		HL	494.30	494.30	
B21	1				SEL	Right	HR, Cutlery Drawer, 2 ROS21	368.28	368.28	
BSKIN	1				SEL		B21	52.80	52.80	
NESTED CUTLERY DRAWER 21	1				SEL		B21	230.00	230.00	
ROS21	1				SEL		B21	61.60	61.60	
F0330	1				SEL			24.00	24.00	
MOC90	1				SEL			56.64	56.64	
SCRIBE	4				SEL			39.36	157.44	
TOESKIN	4				SEL			28.80	115.20	
CROWNS	4				SEL			207.36	829.44	
CRBACKER1.5	4				SEL			8.00	32.00	
FP2496	1				SEL			228.48	228.48	

Factor

0.8

Override Item with Craftsman Price

Craftsman Pricing

Product Cost:	\$ 8,764.37
Total Custom Price:	\$ 543.21
Delivery:	\$ 225.00
Subtotal:	\$ 9,532.58
Tax:	\$ 962.79
Total:	\$ 10,495.37
Less Deposit:	
Total (Less Deposit):	\$ 10,495.37

Customer Approval: _____

Customer Approval Date: _____

*All Sales Final, Quote is good for 30 days from printed date

**Once this document is signed, changes will no longer be accepted.

ALL add-ons will need to be on a separate order and will generate a new lead time.

Revision Date: 3.8.2018 FC FORM 10.8

Custom Cabinet Request

Date:	1.1.2018	
Sales Rep:		
Customer Name:	Dealer Name	
Job Name:	Smith Pantry	
Engineering Only		
Quote #	Quote 0314	
Price #	See Below	
Job Options:/Cabinet Details:		
Factor:	0.5	
Species:	<input type="text" value="White Birch"/> ▼	
Doorstyle:	<input type="text" value="Select Shaker"/> ▼	Please Replace if Custom Door
Drawer Head:	<input type="text" value="Slab"/> ▼	
Color:	<input type="text" value="Amber"/> ▼	
Glaze:	<input type="text" value="None"/> ▼	
Other Notes: (What is the customer trying to accomplish)		
	W2442 - 1 door cut for glass with finished interior	
	**Please use W2442 MOD-SINGLE DOUBLE DOOR	
	W4842 - doors cut for glass with finished interior	
	**Cab too large. Use 2xW2442 MOD-SINGLE DOUBLE DOOR	
	custom 24" base wine cabinet with 4 rows of cubes - 954.03	
	custom 4db36 16" deep - 1272.91 **This will have 12 inch drawer depth**	

CRAFTSMAN DOORS

	DOORSTYLE	SPECIES	FINISH
RAISED PANEL	Regent	PG Maple	Biscuit
	McCormick	Red Oak	Ash
	Ruston	Alder	Amber
	Grandview	Rustic Alder	Natural
	Grandview	Rustic Beech	Natural
	Grandview	Rustic Cherry	Natural
BEADED PANEL	Orchard	PG Maple	Cranberry
RECESSED PANEL	Lexington	PG Maple	Cappuccino
	Old Town	Cherry	Merlot
	Whitman	Beech	Java
	Pioneer	Beech	Mocha
	Union	PG Maple	Linen
	Pacific	PG Maple	Pearl
	Proctor	Maple	Chestnut
SLAB	Bridgeport	Birch	Espresso

SELECT DOORS

	DOORSTYLE	SPECIES	FINISH
RECESSED PANEL	Shaker	Birch	Mocha
	Shaker	Birch	Wheat
	Shaker	Birch	Pearl
	Shaker	Birch	Slate

FOUNDER'S CHOICE SALES HUTCH

HUTCH

The upper hutch is our Espresso finish on Birch wood and the backing is painted MDF in Slate. Rail mounting provides space to mount the supplied door samples (in every color). The solid hardwood doors swing for easy viewing and can be removed if needed.

- Stain/Paint chips, brochures, and offered literature will be supplied for storage in the drawers.
- Trim and crown molding samples will also be supplied for storage in drawers.

CABINETS

The all plywood, I-Beam construction make our cabinets some of the strongest available (and they are also CARB phase 2 compliant). They are accompanied by full-extension, hardwood dovetailed drawers. Additionally, soft-close drawer guides and 6-way adjustable soft-close hinges are standard throughout Founder's Choice Cabinetry. In addition to having a strong structure we also build with materials that are CARB phase 2 compliant. By being CARB phase 2 compliant we are ensuring that we are adhering to one of the most stringent regulations in effect which limits the emissions from composite wood products.

DOORS

All our doors are hardwood, cope-and-run construction. There is plenty of space to display the doorstyles we offer in multiple ways. The upper level shelf gives enough space to showcase three to four additional doorstyles (preferably the rustic offerings). Care was taken to ensure that all our doorstyles, finishes and species could be displayed.

Any door may be ordered in any combination. Each door sample should be properly labeled with Doorstyle, Species, and Color or Finish for ease of reference.



LEFT CABINET - B18

Slab drawer face and Pioneer door in Beech with an Ash stain.

- ROS18 installed btm
- FEL
- HL

CENTER CABINET - 3DB27

Pioneer doors in Beech with an Ash stain.

- 5-piece df

RIGHT CABINET - B18

Slab drawer face and Pioneer door in Beech with an Ash stain.

- FER
- HR

DEALER DISPLAY PROGRAM

WE OFFER THE RIGHT TOOLS TO MAKE SURE THE JOB IS **DONE RIGHT!**

Founder's Choice has created a variety of sales tools to help facilitate better communication between the client and the sales representative. From physical samples to high-quality, full color, detailed brochures, Founder's Choice has the options clearly explained.



SKUs

SAMPLES

• CROWN RING	Crown sample	\$10
• SAMPLE DOOR	Custom sample door	\$50
• SELECT DOOR SET	Select Series doors with travel bag Includes 1 bag and 5 doors	\$250
• CRAFTSMAN DOOR SET	Craftsman Series doors with travel bag Includes 2 bags and 14 doors	\$1000
• SAMPLE CHIPS 4 X 6	Single color sample chip Includes 1 color ship in birch	\$1 each
• SAMPLE CHIPS 4 X 6 SET	Set of color sample chips Includes 70 color chips in birch (5 of each colorway)	\$50

CUSTOM SAMPLE DOORS

When ordering a custom door or color, the customer must place a deposit (minimum \$50*), approve a sample, and sign for approval. Samples should be ready in 10 working days or less.

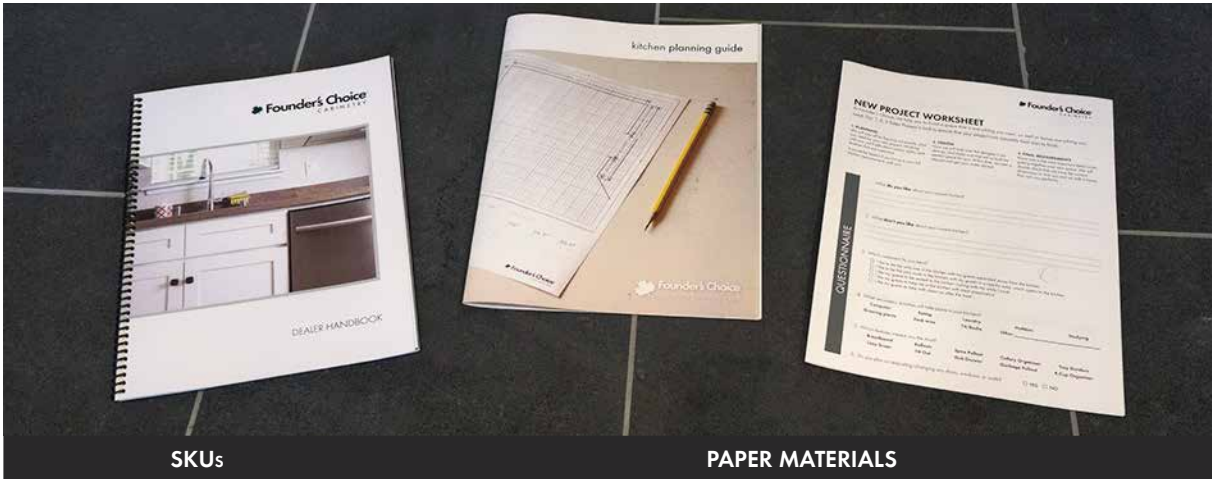
The deposit will be applied towards the order total upon purchase. Customer must sign off before a sample is ordered **and again** before the complete order is processed.**

*Deposits are non-refundable and will only apply to the job directly correlating to the sample.

** If the customer places a 50% deposit, signs the completed order form (which includes all accessories), and color is the **ONLY** detail left to be determined, then we will process the order before the sample approval (this will drastically reduce timeline).

DEALER DISPLAY PROGRAM

DEALER PROGRAM



SKUs

PAPER MATERIALS

• KITCHEN PLANNING GUIDE	Kitchen Planning Guide	\$2.50 each
• NEW PROJECT WORKSHEET	New Project Worksheet (set of 50)	\$5 per set
• DEALER BOOK	Additional Dealer Handbook	\$25 per book



SKUs

DISPLAY MATERIALS

• FCC SALES CENTER	Founder's Choice Sales Hutch	\$2,495
• KNOB PULL-V1	Hardware Display Board	\$50
	Showroom Cabinet Displays	Factor is .28
	Cabinet displays are subject to pre and post approval by FC	
• VANITY POSTER BOARD	Vanity Poster Board	\$25
• WINDOW CLINGS	Authorized Dealer Window Cling	\$5
• DEALER PLACARD	Authorized Dealer Placard	\$20
	One included at no extra charge with the purchase of a Sales Hutch.	



FOUNDER'S CHOICE

CRAFTSMAN SERIES

“The Craftsman Series is a semi-custom cabinet line, built in our Tacoma, WA facility.”

Every job in our Craftsman line is made to order so you are able to choose any wood species, doorstyle, stain or paint color that we carry. We also offer custom options such as extended stiles, glass-paneled doors and custom sizes. We take pride in the high level of thought and design put into our cabinets and are excited to see what you can create using our Craftsman Series cabinets!

KEY THEMES

- Solid hardwood doors and face frames
- Dovetailed solid wood drawer boxes
- $\frac{1}{2}$ " CARB P2 rated plywood
- $\frac{1}{2}$ " plywood back
- $\frac{3}{4}$ " horizontal reveal
- $\frac{1}{2}$ " vertical reveal
- Full-extension soft-close drawer guides
- $1\frac{1}{2}$ " increments from 9" up to 27" wide in most wall and base cabinets
- All shelves are full depth, edge-banded, and $\frac{3}{4}$ " thick plywood
- Conversion varnish
- Dadoed, nailed, & glued
- Standard interior is UV-finished White Birch plywood
- Exposed ends must be covered with skins
- Cabinets that don't come with a shelf, are not expected to be drilled for shelf holes but they may be present

6-WAY ADJUSTABLE SOFT-CLOSE HINGES



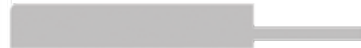
FULL EXTENSION SOFT-CLOSE GUIDES



CRAFTSMAN SERIES OPTIONS



PIONEER



Pioneer Door Profile



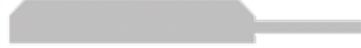
PACIFIC



Pacific Door Profile



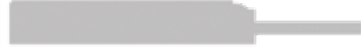
WHITMAN



Whitman Door Profile



UNION



Union Door Profile



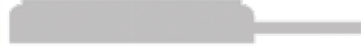
OLD TOWN



Old Town Door Profile



LEXINGTON



Lexington Door Profile



BRIDGEPORT



Bridgeport Door Profile



ORCHARD



Orchard Door Profile



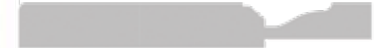
MCCORMICK



McCormick Door Profile



GRANDVIEW



Grandview Door Profile



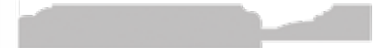
RUSTON



Ruston Door Profile



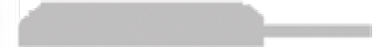
REGENT



Regent Door Profile

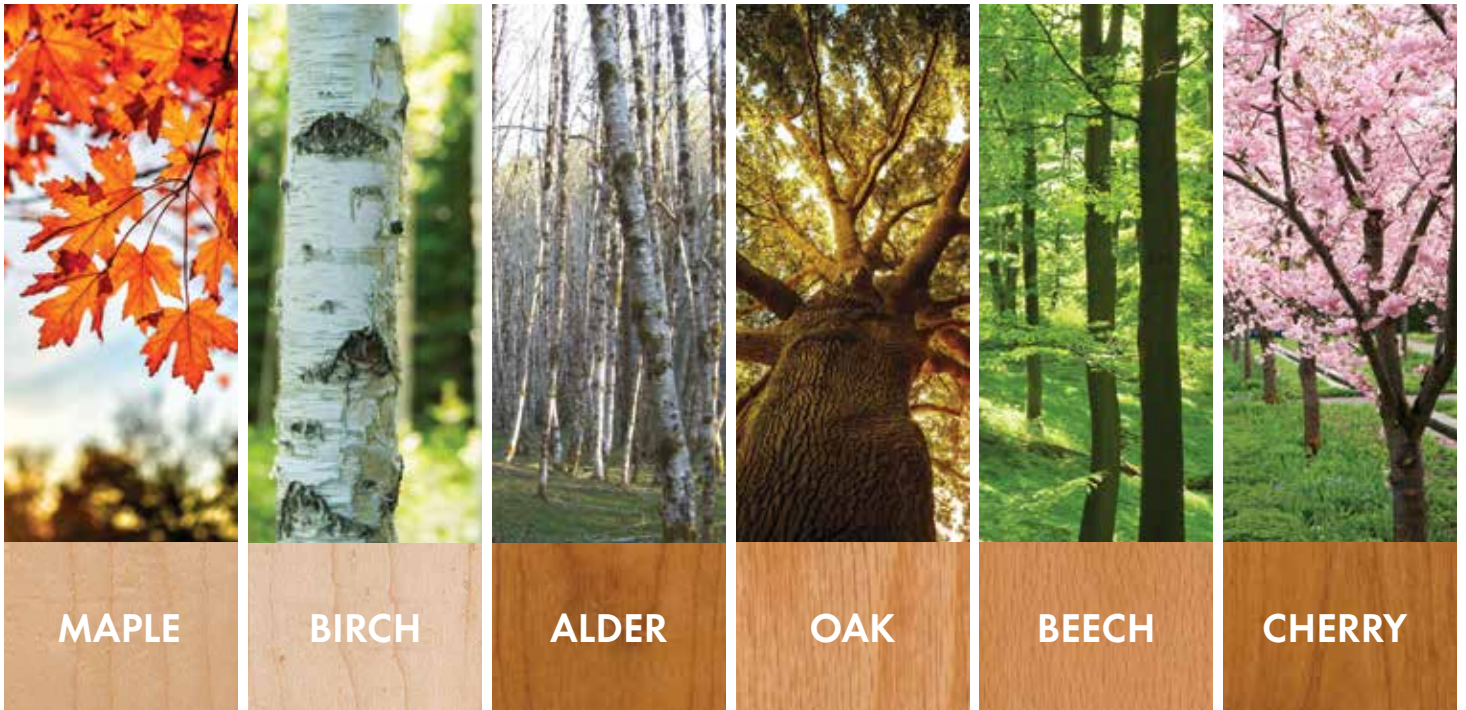


PROCTOR



Proctor Door Profile

WOOD SPECIES



COLOR SELECTION



CRAFTSMAN

ITEMS LIST

BASE CABINETS

Base		Farm Sink Base		3 Drawer Base		Full Height Blind Corner Base	
1 Door + 1 Drawer	B12 B13.5 B15 B16.5 B18 B19.5 B21 B22.5	2 Doors	FSB30 FSB33 FSB36 FSB39	1 Small Drawer + 2 Large Drawers	3DB12 3DB13.5 3DB15 3DB16.5 3DB18 3DB19.5 3DB21 3DB22.5 3DB24 3DB25.5 3DB27 3DB30 3DB33 3DB36	Blind Left	FHBCB36L FHBCB39L FHBCB42L FHBCB45L FHBCB48L
2 Doors + 1 Drawer	B24 B25.5 B27 B30	Full Height Base				Blind Right	FHBCB36R FHBCB39R FHBCB42R FHBCB45R FHBCB48R
2 Doors + 2 Drawers	B33 B36 B39	1 Door	FHB09 FHB10.5 FHB12 FHB13.5 FHB15 FHB16.5 FHB18 FHB19.5 FHB21 FHB22.5	4 Drawer Base		90 Degree Corner	LS33 LS36
Sink Base		2 Doors	FHB24 FHB25.5 FHB27 FHB30 FHB33 FHB36 FHB39	4 Small Drawers	4DB15 4DB16.5 4DB18 4DB19.5 4DB21 4DB22.5 4DB24	Diagonal	DLS36
1 False Drawer + 1 Door	SB18 SB19.5 SB21 SB22.5	Full Height Sink Base		6 Drawer Base		Knee Drawers	
1 False Drawer + 2 Doors	SB24 SB25.5 SB27 SB30	1 Door	FHSB18 FHSB19.5 FHSB21 FHSB22.5	Island	6DB24-ISLAND	Kitchen	KKD24 KKD27 KKD30 KKD33 KKD36
2 False Drawers + 2 Doors	SB33 SB36 SB39	2 Doors	FHSB24 FHSB25.5 FHSB27 FHSB30 FHSB33 FHSB36 FHSB39	Left	6DB24L	Microwave Base	
Diagonal Sink, Rectangle Box	SBC45			Right	6DB24R	Open Shelf	MWB24 MWB27 MWB30
Diagonal Sink, Large Diagonal Box	SBD45			Blind Corner Base		Custom	MWBC24 MWBC27 MWBC30
				Blind Left	BCB36L BCB39L BCB42L BCB45L BCB48L	Wine Rack Base	
				Blind Right	BCB36R BCB39R BCB42R BCB45R BCB48R	15" Wine Rack	WRB15
						Base Open Shelf	
						Open Shelving	BOS1230

WALL CABINETS

12" Wall		18" Wall		24" Wall		30" Wall	
1 Door	W1212 W13.512 W1512 W16.512 W1812 W19.512 W2112 W22.512	1 Door	W1218 W13.518 W1518 W16.518 W1818 W19.518 W2118 W22.518	1 Door	W1224 W13.524 W1524 W16.524 W1824 W19.524 W2124 W22.524	1 Door	W0930 W1230 W13.530 W1530 W16.530 W1830 W19.530 W2130 W22.530
		2 Doors	W2418 W25.518 W2718 W3018 W3318 W3618 W3918	2 Doors	W2424 W25.524 W2724 W3024 W3324 W3624	2 Doors	W2430 W25.530 W2730 W3030 W3330 W3630 W3930
15" Wall		21" Wall		27" Wall		36" Wall	
1 Door	W1215 W13.515 W1515 W16.515 W1815 W19.515 W2115 W22.515	1 Door	W1221 W13.521 W1521 W16.521 W1821 W19.521 W2121 W22.521	1 Door	W1227 W13.527 W1527 W16.527 W1827 W19.527 W2127 W22.527	1 Door	W0936 W1236 W13.536 W1536 W16.536 W1836 W19.536 W2136 W22.536
2 Doors	W2415 W25.515 W2715 W3015 W3315 W3615 W3915	2 Doors	W2421 W25.521 W2721 W3021 W3321 W3621	2 Doors	W2427 W25.527 W2727 W3027 W3327 W3627	2 Doors	W2436 W25.536 W2736 W3036 W3336 W3636 W3936

ITEMS LIST

WALL CABINETS (CONT.)

TALL CABINETS

42" Wall

1 Door	W0942
	W1242
	W13.542
	W1542
	W16.542
	W1842
	W19.542
2 Doors	W2142
	W22.542
	W2442
	W25.542
	W2742
	W3042
	W3342
W3642	
W3942	

Microwave Wall

Shelf Only	MWS3018
2 Doors Above Shelf	MWS3030
	MWS3036
	MWS3042

Mirror Wall

Mirror	MIR2430
	MIR3030

Wall Open Shelf

Open Shelves	WOS0630
	WOS0636
	WOS0642

Refrigerator Wall

30"	RW3012
	RW3015
	RW3018
	RW3021
33"	RW3024
	RW3312
	RW3315
36"	RW3318
	RW3612
	RW3615
39"	RW3618
	RW3621
	RW3624
	RW3912
	RW3915
	RW3918
RW3921	
RW3924	

Linen Cabinet

2 Doors	LC1884
	LC1890
	LC1896
4 Doors	LC2484
	LC2490
	LC2496

Custom Oven Cabinet

2 Doors + 1 Drawer	OC3084
	OC3090
	OC3096
	OC3384
	OC3390
	OC3396

Blind Corner Wall

Blind Left	BCW3630L
	BCW3636L
	BCW3642L
Blind Right	BCW3630R
	BCW3636R
	BCW3642R

Plate Rack

Shelf Only	PR3015
2 Doors Above Shelf	PR3030
	PR3036
	PR3042

Wine Rack Wall

Shelf Only	WR1530
	WR3015
2 Doors Above Rack	WR3030
	WR3036
	WR3042

Corner Wall

Diagonal	DCW2430
	DCW2436
	DCW2442
	DCW2736
	DCW2742
Easy Reach	WEZR2430
	WEZR2436
	WEZR2442

Utility Cabinet

2 Doors	UC1584
	UC1590
	UC1596
	UC1884
	UC1890
4 Doors	UC1896
	UC2484
	UC2490
	UC2496
	UC3084
UC3090	
UC3096	

VANITIES

Vanity Base		Vanity Base - Tall Full Height		3 Drawer Vanity Base - Tall		Vanity Sink Base - Tall Full Height	
1 Door + 1 Drawer	VB12 VB13.5 VB15 VB16.5 VB18 VB19.5 VB21 VB22.5	1 Door	FHVB12T FHVB13.5T FHVB15T FHVB16.5T FHVB18T FHVB19.5T FHVB21T FHVB22.5T	3 Drawers	3DVB12T 3DVB13.5T 3DVB15T 3DVB16.5T 3DVB18T 3DVB19.5T 3DVB21T 3DVB22.5T 3DVB24T 3DVB25.5T 3DVB27T 3DVB30T	1 Door	FHVSB18T FHVSB19.5T FHVSB21T FHVSB22.5T
2 Doors + 1 Drawer	VB24 VB25.5 VB27 VB30 VB33 VB36	2 Doors	FHVB24T FHVB25.5T FHVB27T FHVB30T FHVB33T FHVB36T FHVB39T			2 Doors	FHVSB24T FHVSB25.5T FHVSB27T FHVSB30T FHVSB33T FHVSB36T FHVSB39T
Vanity Base - Tall		Combo Units		Vanity Sink Base		Vanity Wall	
1 Door + 1 Drawer	VB12T VB13.5T VB15T VB16.5T VB18T VB19.5T VB21T VB22.5T	2 Doors + 2 Small Drawers + 1 False Drawer	2DVS36 2DVS42	1 Door + 1 False Drawer	VS18 VS19.5 VS21 VS22.5	1 Door with Open Shelf	VW1830 VW1836 VW2130 VW2136
2 Doors + 1 Drawer	VB24T VB25.5T VB27T VB30T VB33T VB36T VB39T	3 Drawer Vanity Base		2 Doors + 1 False Drawer	VS24 VS25.5 VS27 VS30 VS33 VS36	Vanity Assembly	
Vanity Knee Drawers		3 Drawers	3DVB12 3DVB13.5 3DVB15 3DVB16.5 3DVB18 3DVB19.5 3DVB21 3DVB22.5 3DVB24 3DVB25.5 3DVB27 3DVB30	Vanity Sink Base - Tall		1 Door & 2 Drawers	VA30-DL VA30-DR VA36-DL VA36-DR
21" Depth	VKD24 VKD27 VKD30 VKD33 VKD36			1 Door + 1 False Drawer	VS18T VS19.5T VS21T VS22.5T	2 Doors & 6 Drawers	VA48 VA60
				2 Doors + 1 False Drawer	VS24T VS25.5T VS27T VS30T VS33T VS36T VS39T	4 Doors & 3 Drawers	VA60DD

ITEMS LIST

SHELVING

Shelf - Base

Extra Shelving for Base Cabinets	B09-SHELF
	B10.5-SHELF
	B12-SHELF
	B13.5-SHELF
	B15-SHELF
	B16.5-SHELF
	B18-SHELF
	B19.5-SHELF
	B21-SHELF
	B22.5-SHELF
	B24-SHELF
	B25.5-SHELF
	B27-SHELF
	B30-SHELF
	B33-SHELF
	B36-SHELF
	B39-SHELF
	BSHELF

Shelf - Vanity Base

Extra Shelving for Vanity Base Cabinets	VB10.5-SHELF
	VB12-SHELF
	VB13.5-SHELF
	VB15-SHELF
	VB16.5-SHELF
	VB18-SHELF
	VB19.5-SHELF
	VB21-SHELF
	VB22.5-SHELF
	VB24-SHELF
	VB25.5-SHELF
	VB27-SHELF
	VB30-SHELF
	VB33-SHELF
	VB36-SHELF
	VBSHELF

Shelf - Roll Out

Extra Roll Out Shelving	ROS15
	ROS18
	ROS21
	ROS24
	ROS27
	ROS30
	ROS33
	ROS36
	ROS39

Shelf - Wall

Extra Shelving for Wall Cabinets	W9-SHELF
	W10.5-SHELF
	W12-SHELF
	W13.5-SHELF
	W15-SHELF
	W16.5-SHELF
	W18-SHELF
	W19.5-SHELF
	W21-SHELF
	W22.5-SHELF
	W24-SHELF
	W25.5-SHELF
	W27-SHELF
	W30-SHELF
	W33-SHELF
	W36-SHELF
WSHELF	

OFFICES

Filing Cabinet

2 Drawers	2DFC18
	2DFC21
	2DFC40
3 Drawers	3DFC18

Full Height Desk Filing Cabinet

1 Door	FHDFC18
--------	---------

Desk End Panel

Panel	DEP
-------	-----

TRIM

Skin		Standard Filler		Plant On Doors	
Skin	BSKIN	Filler	F1.530	1 False Door	PD1230
	SKIN4848		F1.536		PD1236
	SKIN4896		F1.542		PD1242
	TOESKIN		F1.596		PD2430
	TSKIN		F0330		
	WSKIN30		F0342		
	WSKIN36		F0396		
	WSKIN42		F0630		
	F0642				
	F0696				
Crown		Fluted Filler		Trim	
Crown Backer	CRBACKER1.5	Fluted Filler	FF0330	Corbel Simple	CORBEL1
	CRBACKER12		FF0336	Countertop Molding	CTOP
Crown Starter	CRSTART03		FF0342	Molding	BATTEN
	CRSTART06		FF0630	Molding Outside Corner	MOC90
	CRSTART12		FF0636	Quarter Round	QTRRND
Crown Options	CROWN1		FF0642	Scribe	SCRIBE
	CROWN1.12		Splash	SPLASH4	
	CROWN2			SPLASH	
	CROWN2.12			SPLASH12	
	CROWNA				
	CROWNB				
	CROWNC				
	CROWND				
CROWNS					
CROWN MDF					
		End Panels			
		Dishwasher End Panel	DWEP.75		
			DWEP1.5		
			DWEP3		
		Finished Panel	FP2496		
			FP3096		
		Refrigerator End Panel	RP2496		
			RP3096		
		Refrigerator End Panel Extended Stile	RPES2496		
			RPES3096		

ITEMS LIST

ACCESSORIES

Beverages

Stemware	STEMWARE-BRASS
	STEMWARE-BRONZE
	STEMWARE-CHROME
	STEMWARE-NICKLE
Wine Bottles	WINE BOTTLE-BRASS
	WINE BOTTLE-BRONZE
	WINE BOTTLE-CHROME
	WINE BOTTLE-NICKLE

Base Pull Outs

For Standard Blind Corner Base	BCB PULLOUT-BEAN48
	BCB PULLOUT-HALF MOON45
For Full Height Blind Corner Base	FHBCB PULLOUT-OPTIMIZER45
	FHBCB PULLOUT-OPTIMIZER48
	FHBCB PULLOUT-PREMIERE42
	FHBCB PULLOUT-PREMIERE45
For Full Height Cabinets	BASE PULLOUT (11)
	BASE PULLOUT (14)
	BASE PULLOUT (5)
	BASE PULLOUT (8)

Nested Cutlery Drawers

For Standard Bases	NESTED CUTLERY DRAWER 15
	NESTED CUTLERY DRAWER 18
	NESTED CUTLERY DRAWER 21
	NESTED CUTLERY DRAWER 24

Recycle & Compost

Single	COMPOST BIN-SINGLE
	RECYCLE SINGLE-WOOD REV
Double	RECYCLE CENTER-CHROME SALICE
	RECYCLE CENTER-FHB21
	RECYCLE CENTER-WOOD REV
	COMPOST BIN-DOUBLE

Cutting Boards

Bread Board	BREAD BOARD 16
	BREAD BOARD 18
	BREAD BOARD 24
Butcher Block	BUTCHER BLOCK

Mixer Lift

Chrome Mixer Lift w/ Shelf	MIXER LIFT
----------------------------	------------

Tip Out Trays

For Sink Bases	TIP OUT TRAY SB24
	TIP OUT TRAY SB30
	TIP OUT TRAY SB33
	TIP OUT TRAY SB36
	TIP OUT TRAY SB39

Filler Pullouts

Filler Pullout	FILLER PULLOUT (3)
	FILLER PULLOUT (6)

Tray Dividers

Wood	WOOD TRAY DIVIDER
Chrome	TRAY DIVIDER-REV

Finishes

Paint	PAINT-5 GALLON
	PAINT-GALLON
	PAINT-QUART
Stain	STAIN-5 GALLON
	STAIN-GALLON
	STAIN-QUART

Hardware

Knobs	K-1-143
	K-1-195
	K-1-BORB
	K-2-195
	K-2-BORB
	K-3-143
	K-3-195
	K-3-BORB
	Pulls
P-1-195	
P-1-BORB	
P-2-195*	
P-2-BORB	
P-3-143	
Misc. Knobs & Pulls	P-3-195
	P-3-BORB
	PULL-NONSTOCK

*Please note that this is the only hardware available with a 24 hour lead time. All other hardware is available at cabinet lead time.

Misc.

Misc Accessory	ACCESSORY
For Attaching	ADHESIVE200
³ / ₄ Plywood	BUILD UP STRIP

CABINET MODIFICATIONS

Base Cabinets

Decrease Depth (6" Min)	MOD-B-DD
Increase Depth (30" Max)	MOD-B-ID
Extended Base Stile	MOD-B-STILE
Change In Drawer Box Size (Per Drawer)	MOD-B-DB-SIZE

Toe Space

Remove Toekick (Per Box)	MOD-NOTOE
Toekick Modification (Per Box)	MOD-TOE
Extend cabinet face to flush with cabinet base	MOD-FURNITURE TOEKICK
Stretch cabinet face and door towards the bottom to eliminate the toekick	MOD-FURNITURE BOTTOM

Tall Cabinets

Decrease Depth (6" Min)	MOD-T-DD
Increase Depth (30" Max)	MOD-T-ID
Extended Tall Stile	MOD-T-STILE

Custom Cabinets

Whole Cabinet	CUSTOM-CABINET
Door, Drawer Face, or Frame	CUSTOM-DOOR-FRAME
Floating Shelf	CUSTOM-FLOATING SHELF
Custom Hood	CUSTOM-HOOD
Plant-On Door	CUSTOM-PD
Custom Roll Out Shelf	CUSTOM-ROS
Custom Shelf	CUSTOM-SHELF
Custom Trim	CUSTOM-TRIM

Wall Cabinets

Decrease Depth (6" Min)	MOD-W-DD
Increase Depth (24" Max)	MOD-W-ID
Extended Wall Stile	MOD-W-STILE

Vanities

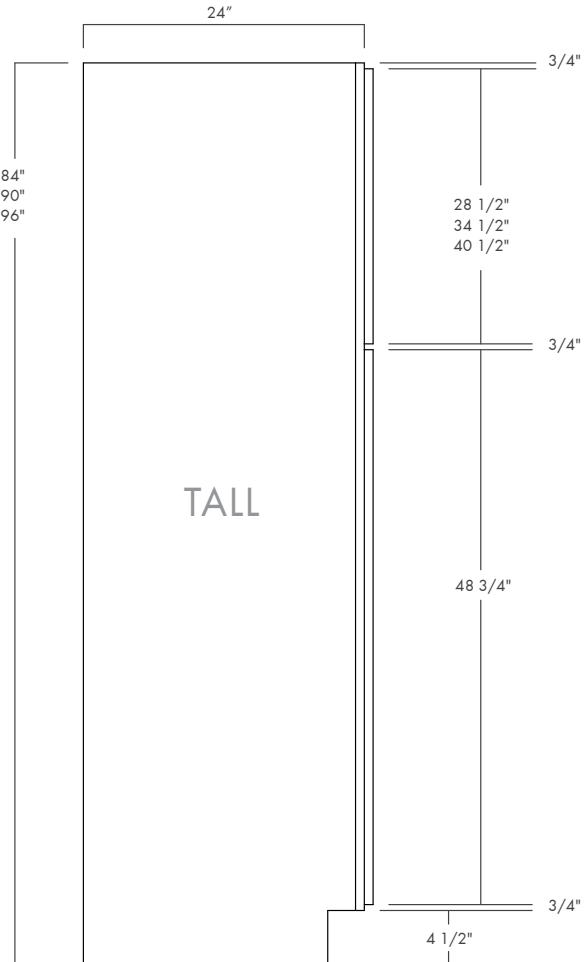
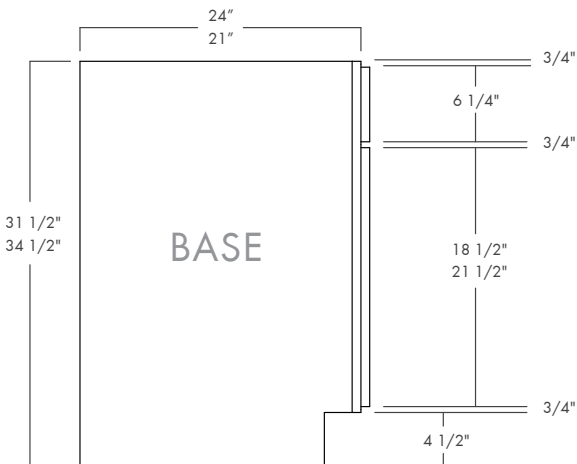
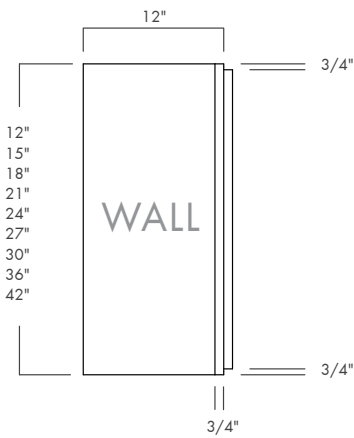
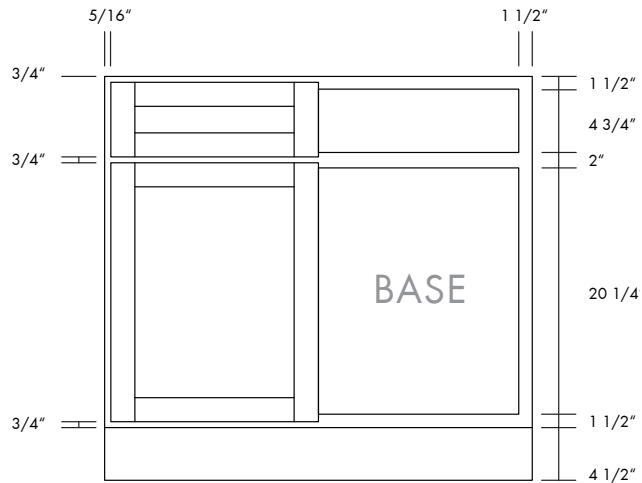
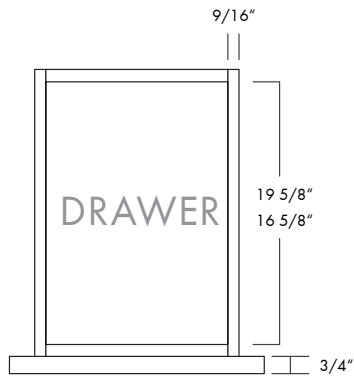
Decrease Depth (6" Min)	MOD-V-DD
Increase Depth (30" Max)	MOD-V-ID
Extended Vanity Stile	MOD-V-STILE
Reduce Roll Out Shelf To Vanity Depth	MOD-V-ROS
Modify a Vanity Base to a Vanity Sink Base Inverted	MOD-V-INV
Change In-Drawer Box Size (12in minimum) Per Drawer Vanity Cabinet	MOD-V-DB-SIZE

Other

Change In Drawer Box Size (Per Drawer)	MOD-B-DB-SIZE
Modify To Range Base	MOD-B-RNG
Switch Lazy Susan to a Fixed Shelf	MOD-LS TO SHELF
20% Discount for No Doors on Craftsman	MOD-NODOOR
Change double door to a single door. Applies to 24" wide cabinets (No warping warranty)	MOD-SINGLE DOUBLE DOOR
Change double drawer to a single drawer. Applies to cabinet widths 33", 36", 39".	MOD-SINGLE DOUBLE DRAWER
Credit for previously paid sample door	SAMPLE DOOR CREDIT

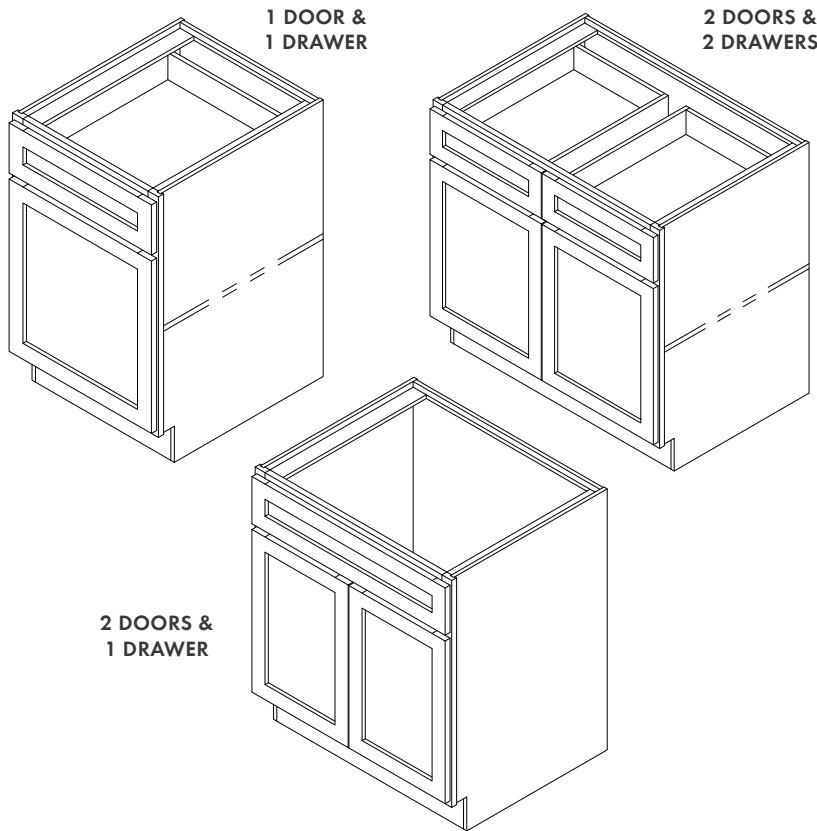
CABINET SPECIFICATIONS

These are our specifications for our Craftsman and Select Series cabinets. If you are in need of a specific dimension that is not listed, please let us know and we will provide it for you!



FINISHED TOEKICK SPACE IS 4.5" TALL AND 2.125" DEEP.

CABINET SPECIFICATIONS

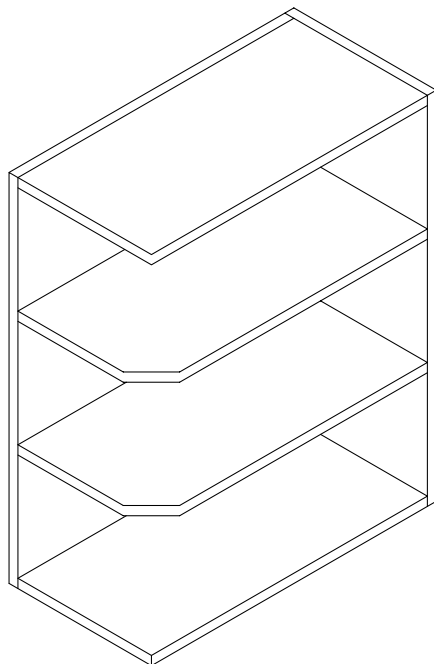


STANDARD BASE

WIDTH	12" - 39"
HEIGHT	34.5"
TOEKICK	4.5" tall 2.125" deep
CABINET DEPTH	24"
SHELF DEPTH	22"
DRAWER DEPTH	3"
SHELVES INCLUDED	1
HINGES PER DOOR	2

OPTIONS: Craftsman is available in increments of 1.5" from sizes 12" - 27". Available in increments of 3" from sizes 27" - 39"

NOTE: 12" - 30" bases have one drawer and 33" - 39" have two drawers.



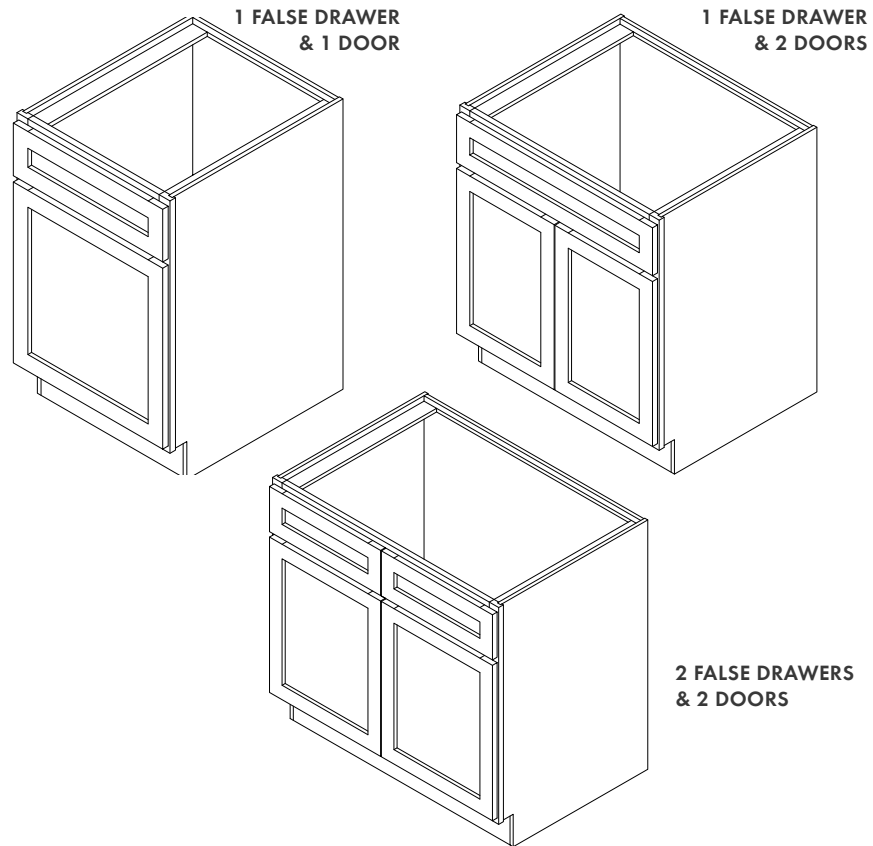
BASE OPEN SHELF

WIDTH	12"
HEIGHT	34.5"
STANDARD CABINET DEPTH	24"
SHELVES INCLUDED	2

CABINET SPECIFICATIONS

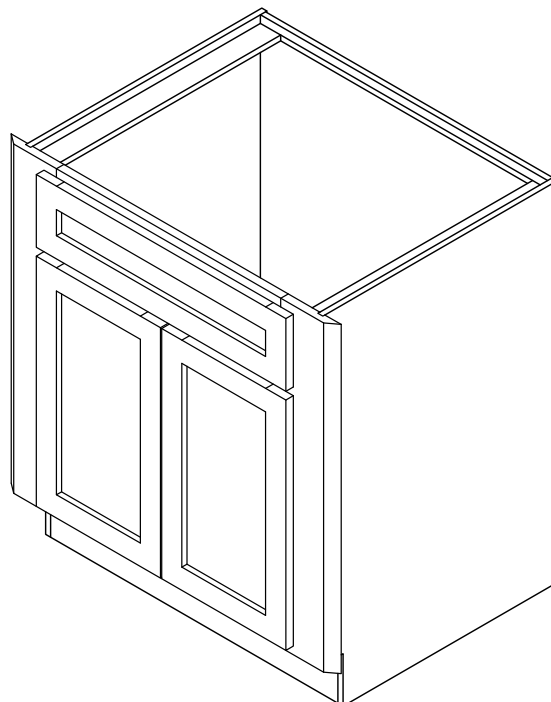
SINK BASE

WIDTH	18" - 39"
HEIGHT	34.5"
CABINET DEPTH	24"
SHELVES INCLUDED	0
HINGES PER DOOR	2



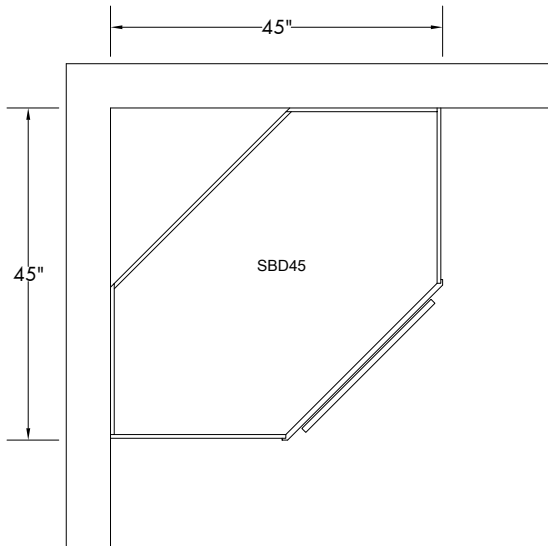
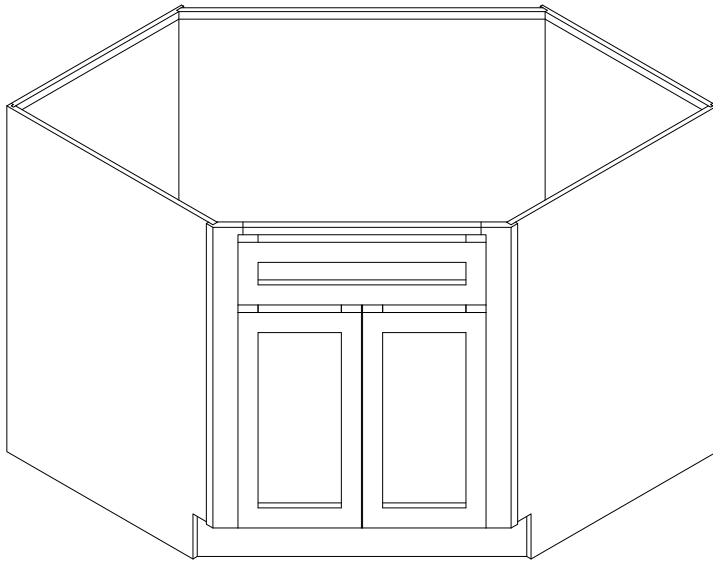
CORNER SINK BASE

WIDTH	30.75"
HEIGHT	34.5"
TOEKICK	4.5" tall 2.125" deep
CABINET DEPTH	24"
SHELVES INCLUDED	0
HINGES PER DOOR	2



DETAILS: This is a standard (rectangle) sink base cabinet that is modified with stiles on the face frame. Stiles make installation easier in the field.

NOTE: 45" is required from the wall to the outer most edge in either direction. No extra filler required. No shelves and no holes for shelves are provided. False drawer attached.



DIAGONAL SINK BASE

WIDTH	45"
HEIGHT	30.5"
TOEKICK	4.5" tall 2.125" deep
CABINET DEPTH	31"
SHELVES INCLUDED	0
HINGES PER DOOR	2

DETAILS: This is a large, diagonal sink base cabinet that provides ample room for full sized sinks in a corner application and increased storage capacity. In addition, the plywood box is sized such that it will fit through a 31-1/4" doorway opening. The cabinet was engineered with the installer in mind, as it has 20" rear panels to make securing it to the studs in the wall easier.

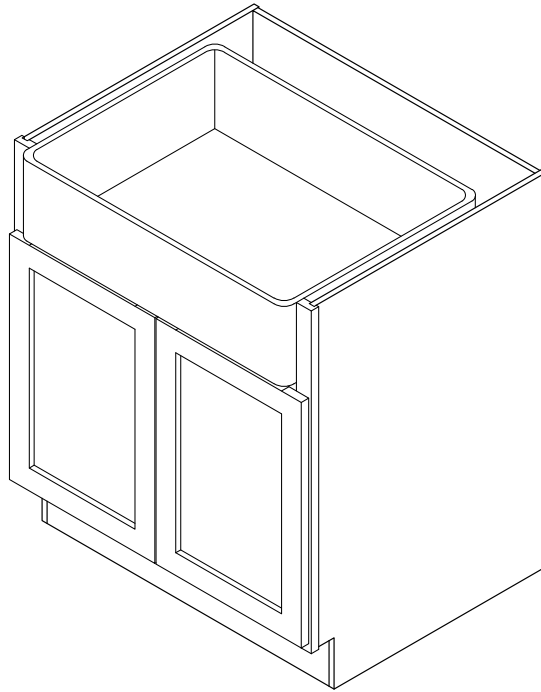
NOTE: 45" is required from the wall to the outer most edge in either direction. No extra filler required. No shelves and holes for shelves are provided.

CABINET SPECIFICATIONS

FARM SINK BASE

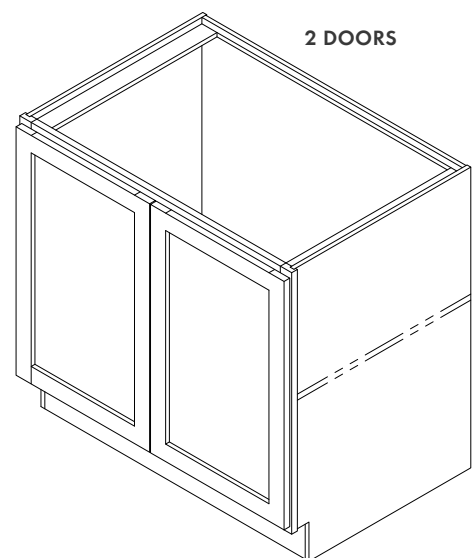
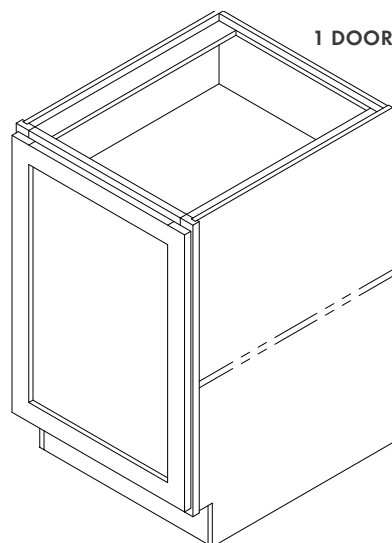
WIDTH	30" - 39"
HEIGHT	34.5"
TOEKICK	4.5" tall 2.125" deep
CABINET DEPTH	24"
SHELVES INCLUDED	0
HINGES PER DOOR	2

NOTE: All farm sink bases are custom to each individual sink and requires sink specifications to be sent in with the order. (Some cases may require the sink to be brought in).



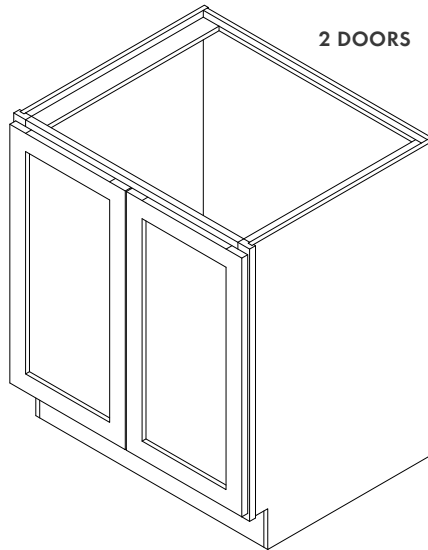
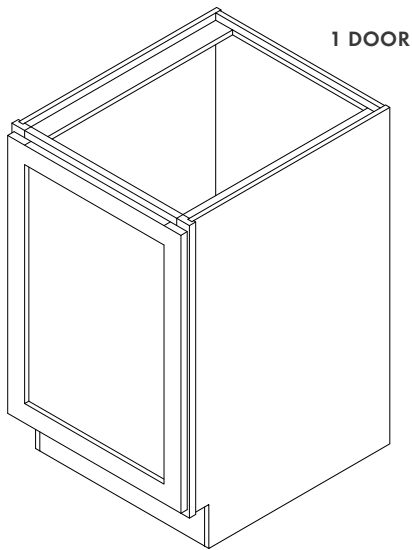
FULL HEIGHT BASE

WIDTH	9" - 39"
HEIGHT	34.5"
TOEKICK	4.5" tall 2.125" deep
CABINET DEPTH	24"
SHELF DEPTH	22"
SHELVES INCLUDED	2
HINGES PER DOOR	2



OPTIONS: Craftsman is available in increments of 1.5" from sizes 12" - 27". Available in increments of 3" from sizes 27" - 39"

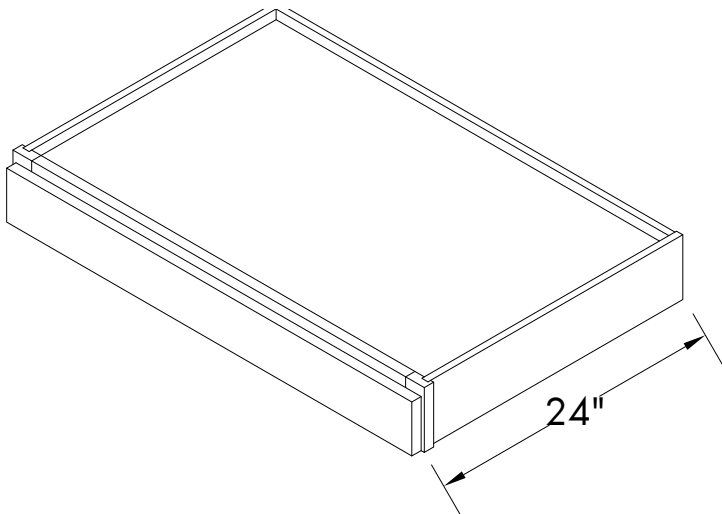
CABINET SPECIFICATIONS



FULL HEIGHT SINK BASE

WIDTH	18" - 39"
HEIGHT	34.5"
TOEKICK	4.5" tall 2.125" deep
CABINET DEPTH	24"
SHELVES INCLUDED	0
HINGES PER DOOR	2

OPTIONS: Craftsman is available in increments of 1.5" from sizes 12" - 27". Available in increments of 3" from sizes 27" - 39".



KITCHEN KNEE DRAWER

WIDTH	24", 27", 30", 33", 36"
HEIGHT	4.5"
CABINET DEPTH	24"

CABINET SPECIFICATIONS

3 DRAWER BASE

WIDTH 12" - 36"

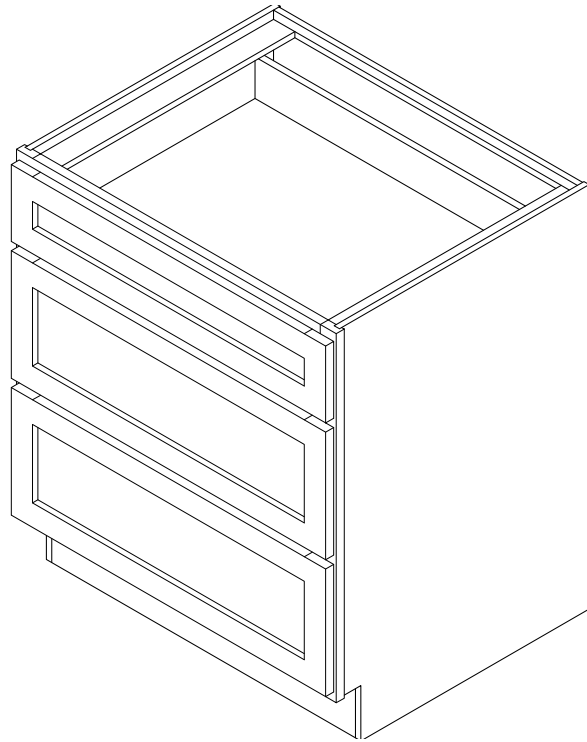
HEIGHT 34.5"

TOEKICK 4.5" tall
2.125" deep

CABINET DEPTH 24"

DETAILS: One cutlery drawer on top (3.25" deep), two larger 6.5" deep drawers below.

OPTIONS: Craftsman is available in increments of 1.5" from sizes 12" - 27". Available in increments of 3" from sizes 27" - 39".



4 DRAWER BASE

WIDTH 15" - 24"

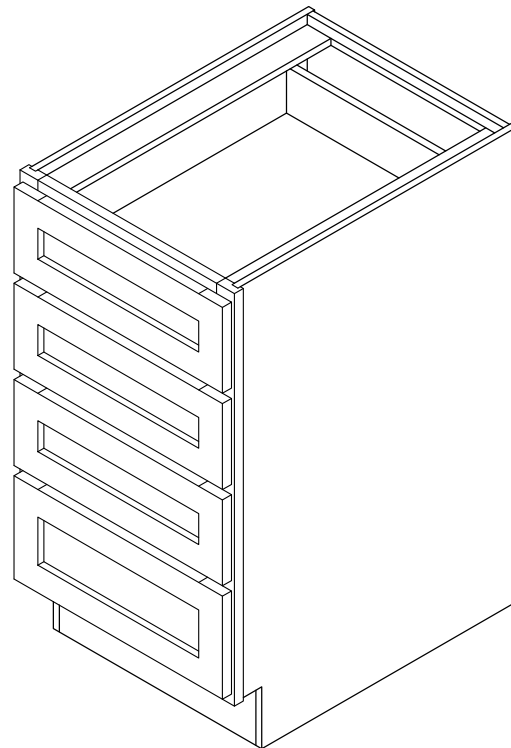
HEIGHT 34.5"

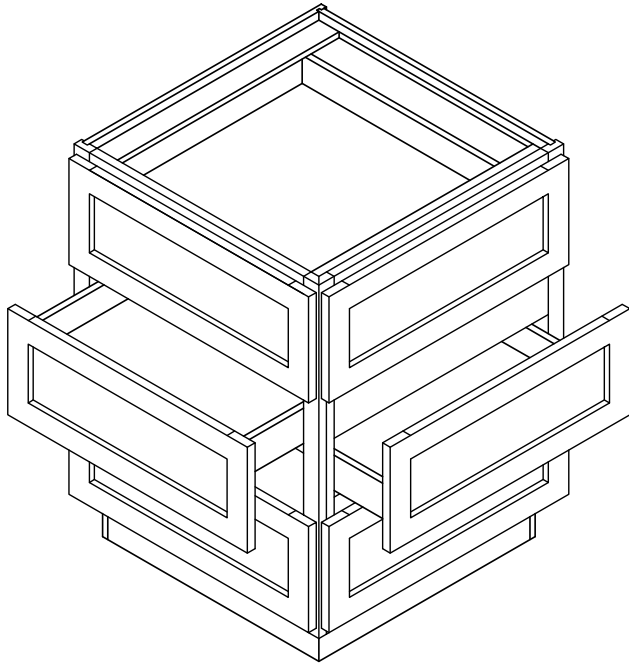
TOEKICK 4.5" tall
2.125" deep

CABINET DEPTH 24"

DETAILS: Each drawer is the same depth (3.25" deep), the top three drawers have the same drawer face while the bottom drawer has a slightly larger drawer face.

OPTIONS: Craftsman is available in increments of 1.5" from sizes 12" - 24".

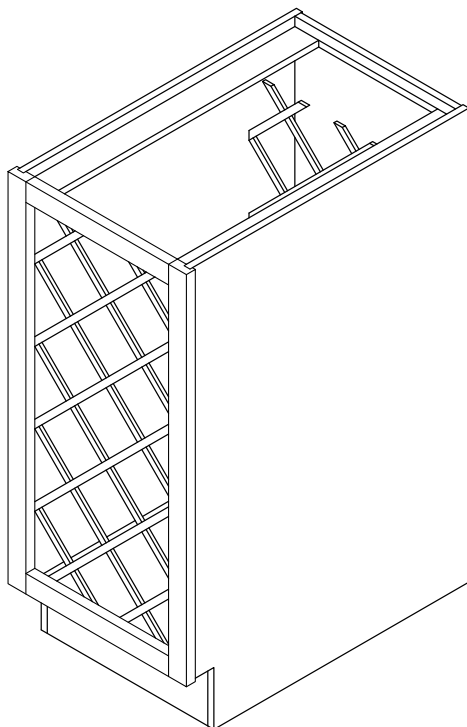




6 DRAWER BASE

WIDTH	24"
HEIGHT	34.5"
TOEKICK	4.5"
CABINET DEPTH	24"

DETAILS: Available for both end of cabinet runs and kitchen islands.



WINE RACK

WIDTH	15" face
HEIGHT	30" face

DETAILS: Finished interior is standard. Wine rack holds 12 bottles.

CABINET SPECIFICATIONS

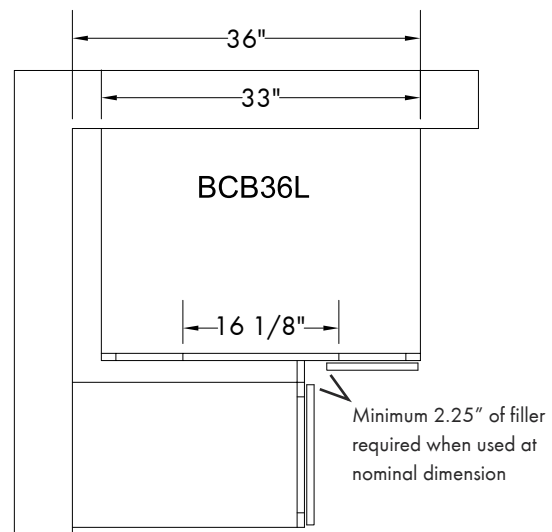
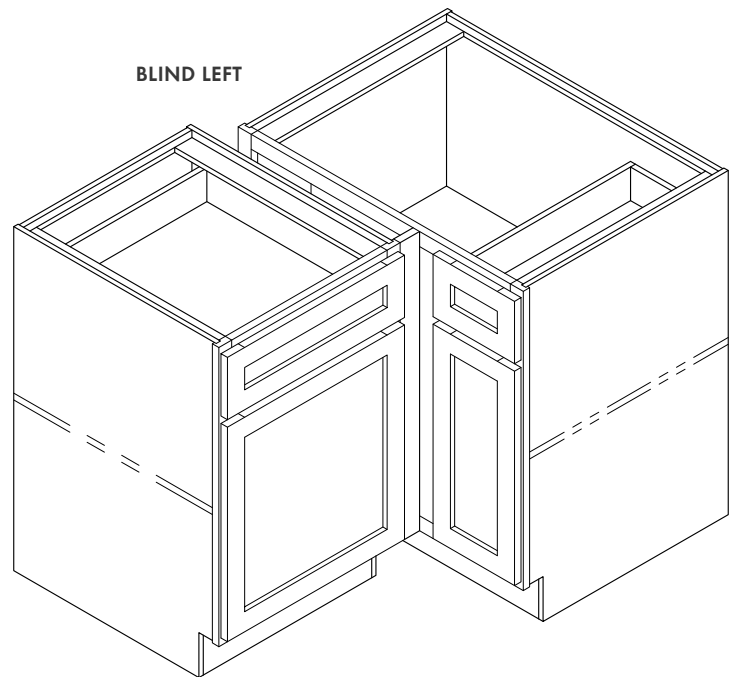
BLIND CORNER BASE

WIDTH	36" - 48"	
HEIGHT	34.5"	
TOEKICK	4.5" tall	
	2.125" deep	
CABINET DEPTH	24"	
SHELF DEPTH	22"	
SHELVES INCLUDED	1	
HINGES PER DOOR	2	
SPECIFICATIONS	36" door width	9.5"
	Opening width	7"
	39" door width	13"
	Opening width	10"
	42" door width	16"
	Opening width	13"
	45" door width	19"
	Opening width	16"
	48" door width	22"
	Opening width	19"

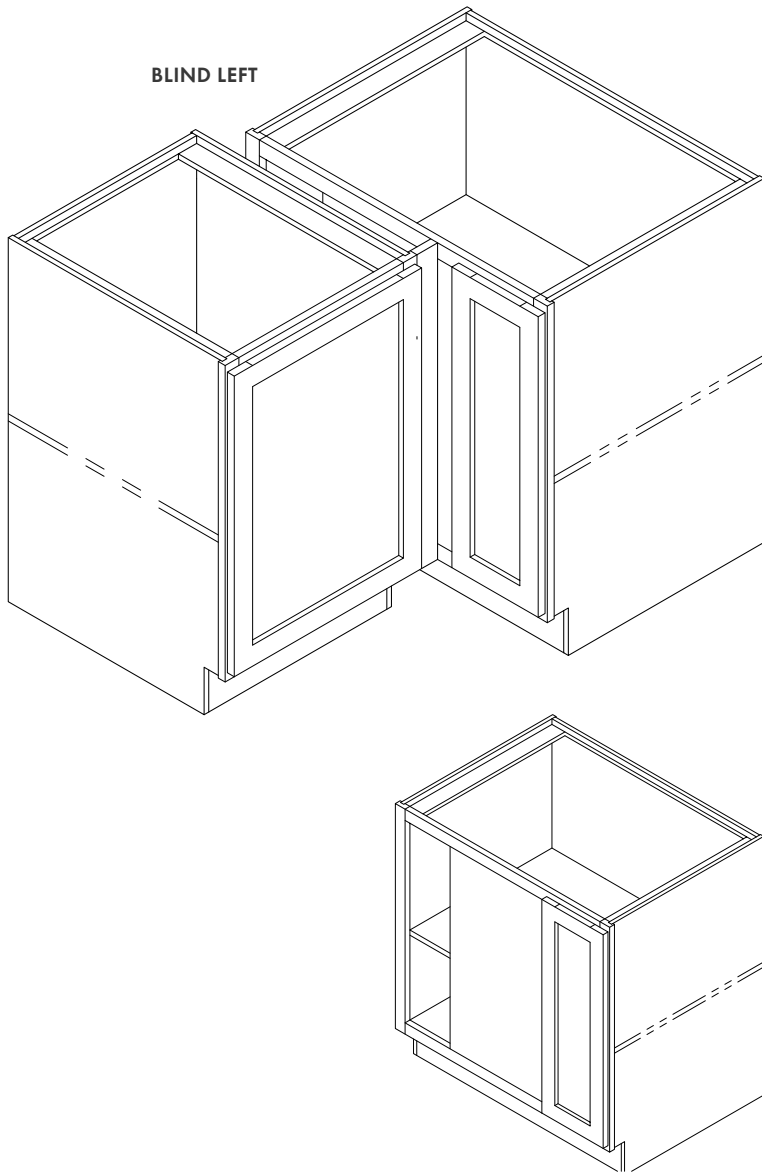
DETAILS: This cabinet is ordered as a Blind Left or Blind Right as it makes a difference in the construction of the cabinet.

NOTE: Blind cabinets always hinge on the blind side - BCB45L hinges left.

NOTE:



CABINET SPECIFICATIONS



FULL HEIGHT BLIND CORNER BASE

WIDTH	36" - 48"
HEIGHT	34.5"
TOEKICK	4.5" tall 2.125" deep
CABINET DEPTH	24"
SHELF DEPTH	22"
SHELVES INCLUDED	1
HINGES PER DOOR	2

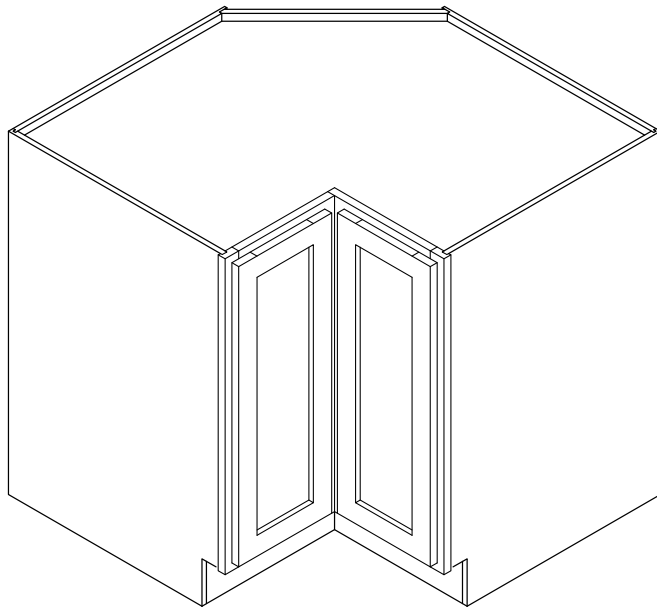
SPECIFICATIONS	36" door width	9.5"
	Opening width	7"
	39" door width	13"
	Opening width	10"
	42" door width	16"
	Opening width	13"
	45" door width	19"
	Opening width	16"
48" door width	22"	
Opening width	19"	

NOTE: Blind cabinets always hinge on the blind side – BCB45L hinges left.

CABINET SPECIFICATIONS

90 DEGREE LAZY SUSAN CORNER BASE

WIDTH	33", 36"
HEIGHT	34.5"
TOEKICK	4.5" tall 2.125" deep
FACE	12" (each side)
SHELF OPTIONS	2 Lazy Susan rotating shelves
HINGES PER DOOR	2

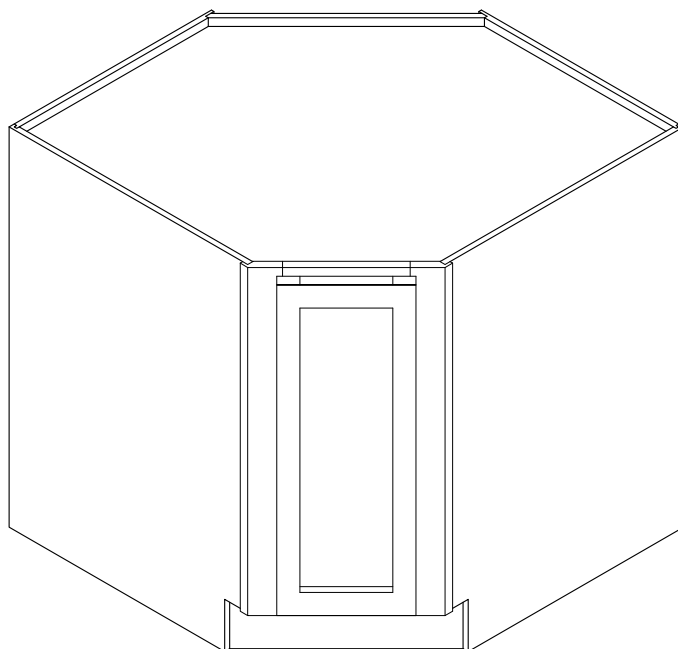


DETAILS: There are two door panels, joined at the corner with hinges, the door opens hinging at the right or left of the cabinet (swiveling both doors outward).

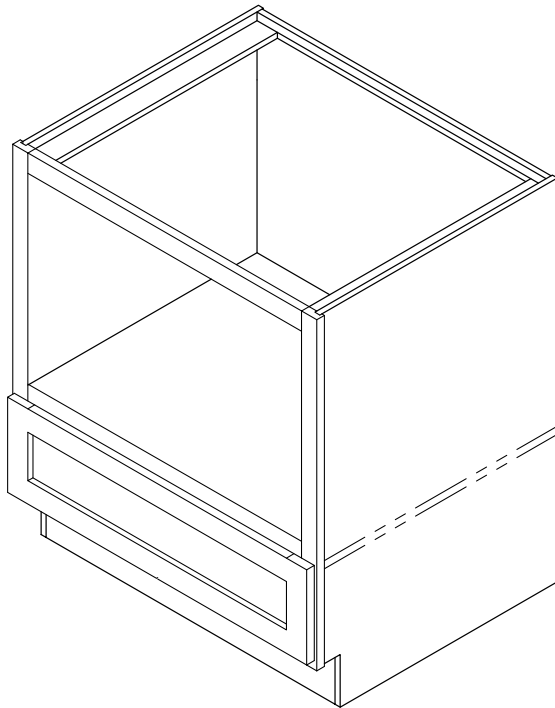
NOTE: The LS33 door will be slab or 2 1/4" stile and rail. The opening on this cabinet is very small.

DIAGONAL LAZY SUSAN CORNER BASE

WIDTH	36"
HEIGHT	34.5"
TOEKICK	4.5" tall 2.125" deep
FACE	17"
SHELF OPTIONS	2 Lazy Susan rotating shelves
HINGES PER DOOR	2



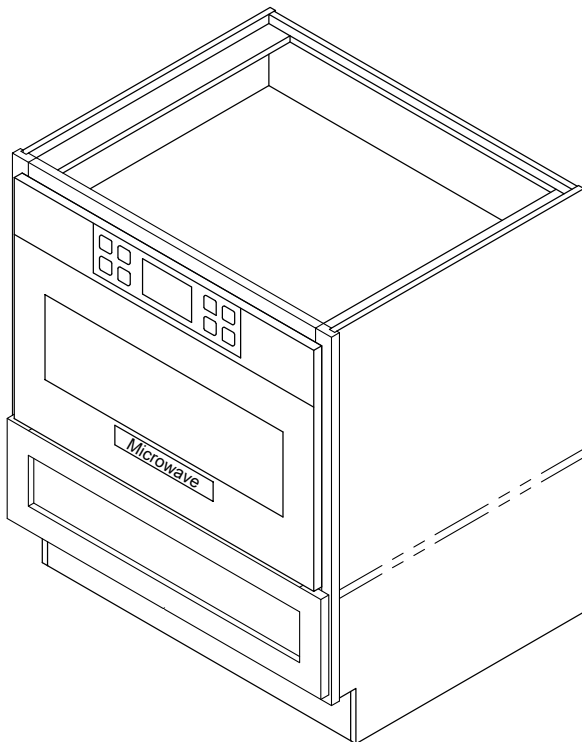
NOTE: 36" space needed from each wall.



STANDARD MICROWAVE BASE

WIDTH	24", 27", 30"
HEIGHT	34.5"
MAX RECOMMENDED MICROWAVE SIZE	19" wide 15" tall 23" deep

DETAILS: This microwave base cabinet is designed with a flush shelf for the microwave to sit on and a single drawer below for additional storage.



CUSTOM MICROWAVE BASE

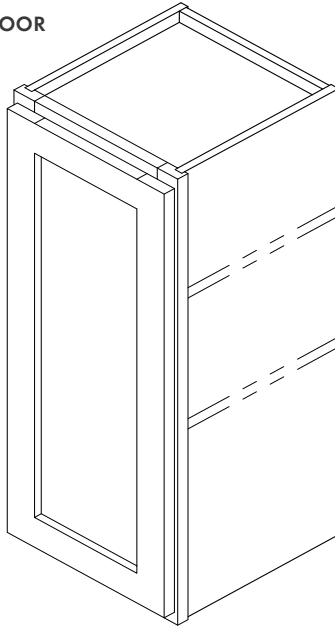
WIDTH	24", 27", 30"
HEIGHT	34.5"
TOEKICK	4.5" tall 2.125" deep
CABINET DEPTH	24"

DETAILS: Designed for built-in style microwaves with trim.

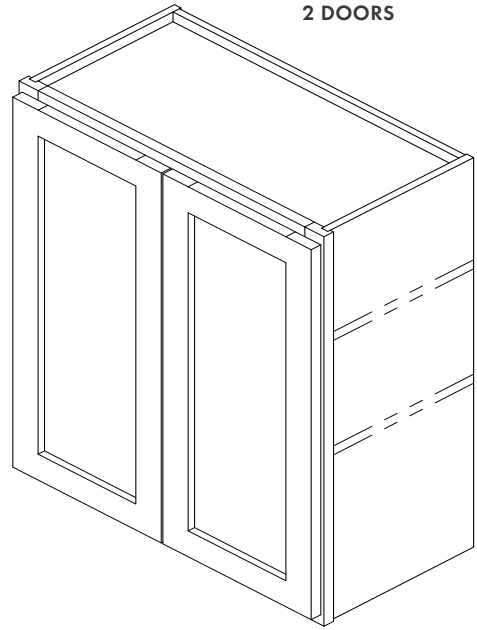
CABINET SPECIFICATIONS

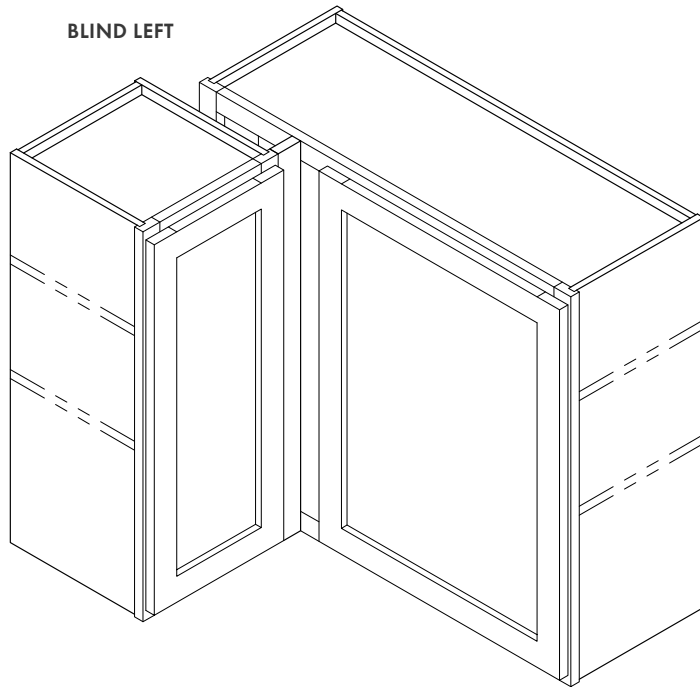
STANDARD WALL		
WIDTH	9" - 39"	
HEIGHT	12" - 42"	
CABINET DEPTH	12"	
SHELF DEPTH	10"	
SHELVES INCLUDED PER CABINET HEIGHT	12" - 15"	0
	18" - 27"	1
	30" - 36"	2
	42"	3
HINGES PER DOOR	12" - 33"	2
	34" - 42"	3

1 DOOR



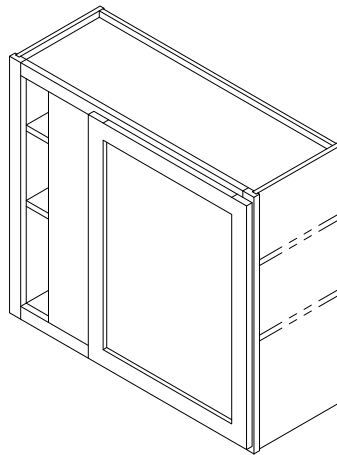
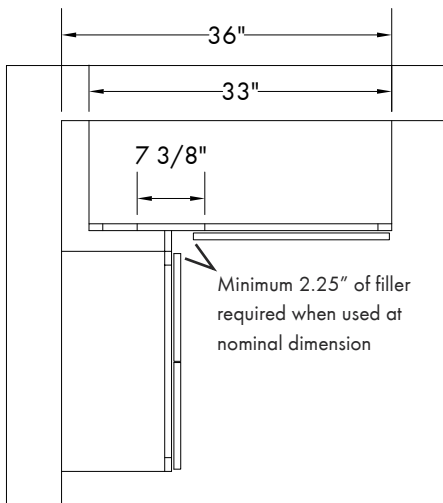
2 DOORS





BLIND CORNER WALL

WIDTH	36" (installed)	
HEIGHT	30" 36" 42"	
CABINET DEPTH	12"	
SHELF DEPTH	10"	
SHELVES INCLUDED PER CABINET HEIGHT	30" - 36"	2
	42"	3
HINGES PER DOOR	30"	2
	36" - 42"	3



DETAILS: A blind wall cabinet is a corner cabinet that is 33" in width but is designed to fill 36" of space. 21" of the cabinet is visible, the remaining width of the cabinet sticks into the corner—providing storage space that is usable and accessible.

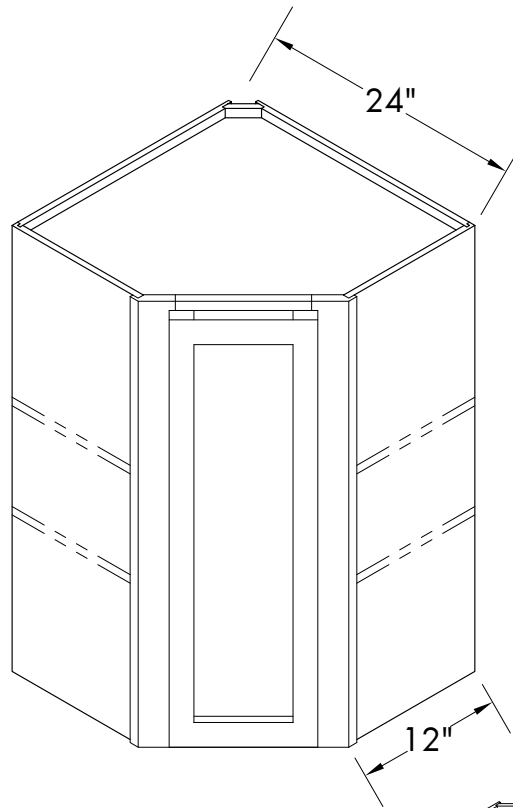
NOTE: The blind corner wall cabinet is designed to fill a 36" - 39" space, the actual cabinet width is 33" (See installation guidelines)
Blind cabinets always hinge on the blind side – BCW3630L hinges left.

SPECIFIC: BCW36
Door width: 22"
Opening width: 19"

CABINET SPECIFICATIONS

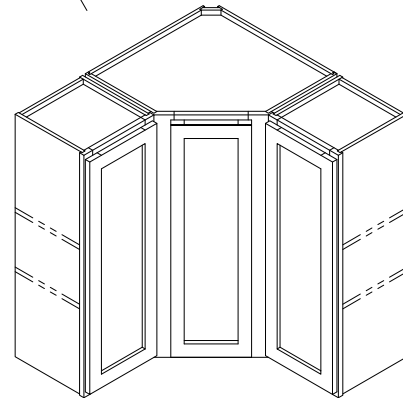
DIAGONAL CORNER WALL

WIDTH	24" - 27"	
HEIGHT	30"	
	36"	
	42"	
CABINET DEPTH	24" - 27"	
SHELF DEPTH	22" - 25"	
SHELVES INCLUDED PER CABINET HEIGHT	30" - 36"	2
	42"	3
HINGES PER DOOR	30"	2
	36" - 24"	3

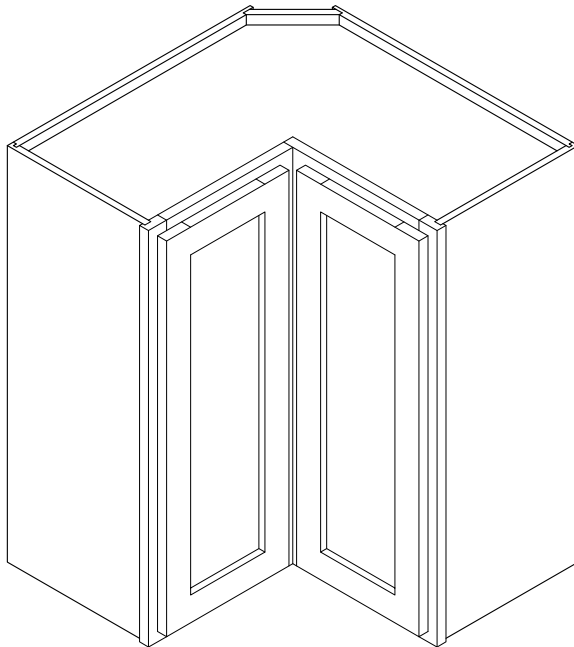


DETAILS: Wall corner cabinet with a 45 degree angled door and full depth shelves.

NOTE: The 27" deep DCW extends further than the standard wall cabinet depth and always require skins.



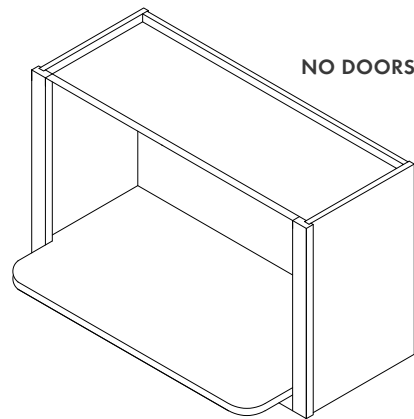
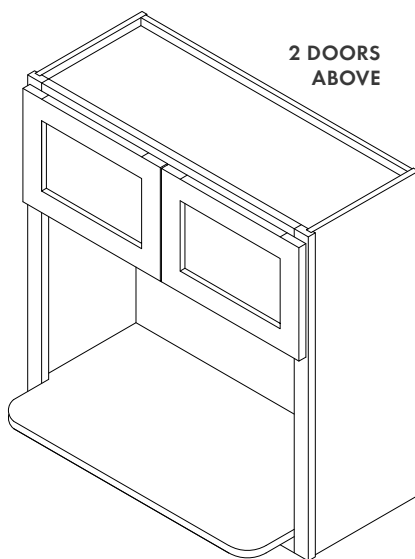
CABINET SPECIFICATIONS



WALL EASY REACH

WIDTH	24"	
HEIGHT	30" 36" 42"	
CABINET DEPTH	12"	
SHELF DEPTH	10"	
SHELVES INCLUDED PER CABINET HEIGHT	30" - 36"	2
	42"	3
HINGES PER DOOR	30"	2
	36" - 42"	3

DETAILS: Wall Easy Reach is a wall corner cabinet. It is a 90 degree cabinet with 12" of accessibility from the corner out in both directions. There are two door panels, joined at the corner with hinges, the door opens hinging at the right or left of the cabinet (swiveling both doors outward).



MICROWAVE SHELF

WIDTH	30"	
HEIGHT	30" 36" 42"	
MAX RECOMMENDED MICROWAVE SIZE	26" wide	
	15" tall	
	16" deep	

DETAILS: Microwave shelf cabinet is a wall cabinet that includes a finished shelf 17 1/4" deep for the microwave to sit on and two doors above the shelf for additional storage.

NOTE: MWS3018 does not have any doors above the microwave cavity.

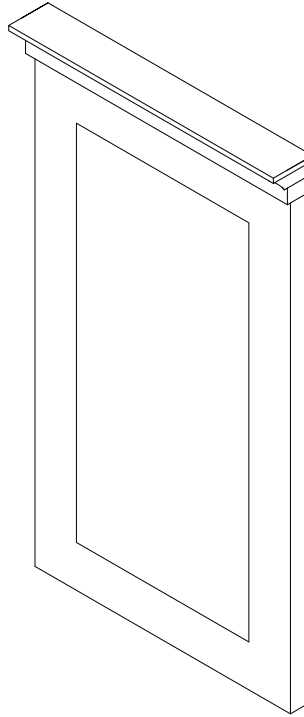
CABINET SPECIFICATIONS

WALL MIRROR

WIDTH 24", 30"

HEIGHT 30"

NOTE: Founder's Choice does not provide the glass insert for this piece.

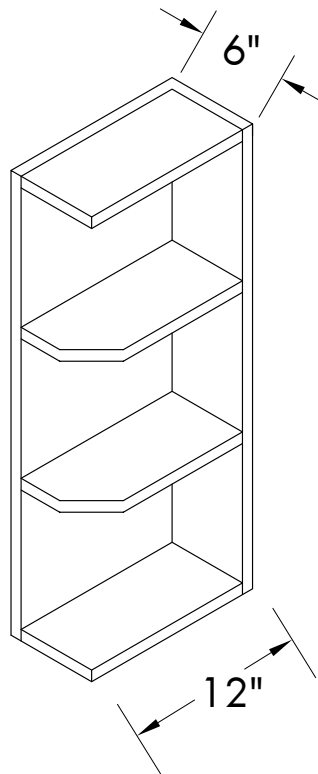


WALL OPEN SHELF

WIDTH 6"

HEIGHT 30", 36", 42"

DETAILS: Wall Open shelf is designed to cap the end of a wall cabinet run. Open shelves will always have a finished interior.



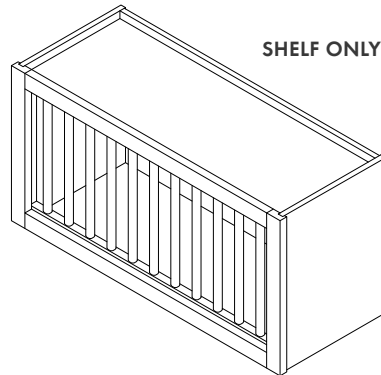
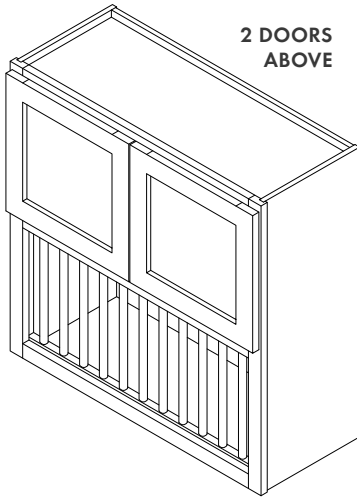
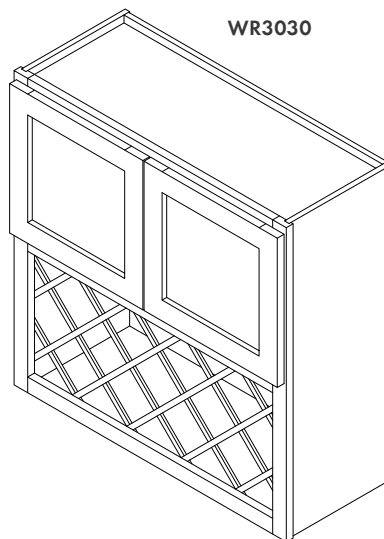
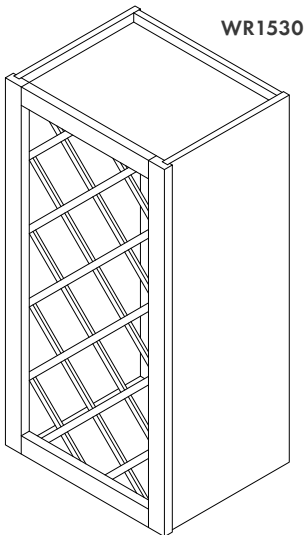


PLATE RACK

WIDTH	30" - 39"
HEIGHT	12" - 24"

DETAILS: Plate rack face is 15" x 30" in each scenario. Finished interior is standard

NOTE: Plate rack holds 12 plates. The plate rack will not hold plates larger than 11" in diameter.



WINE RACK

WIDTH	WR1530	15"
	WR3030	30"
HEIGHT	WR1530	30"
	WR3030	30"

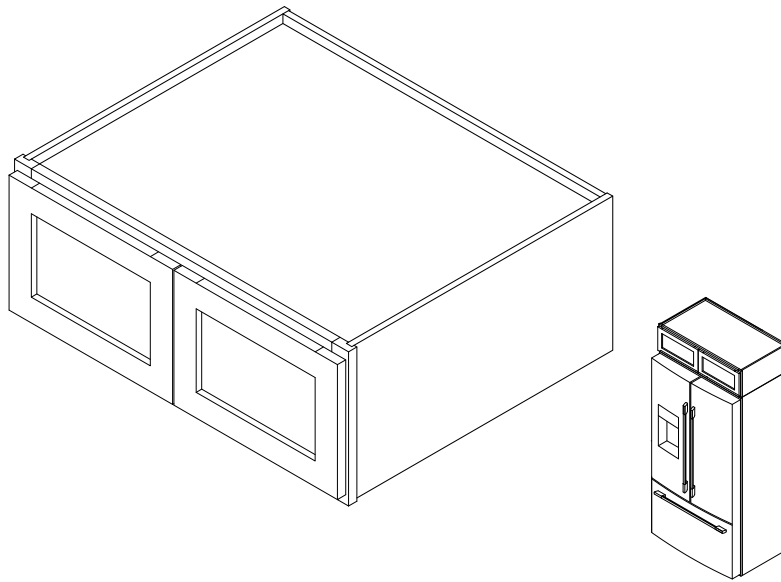
DETAILS: WR1530 is a vertical wine rack cabinet. WR3030 is a horizontal wine rack wall cabinet with two doors above. Wine rack face is 15" x 30" in each scenario.

NOTES: Finished interior is standard. Wine rack holds 12 bottles.

CABINET SPECIFICATIONS

REFRIGERATOR WALL

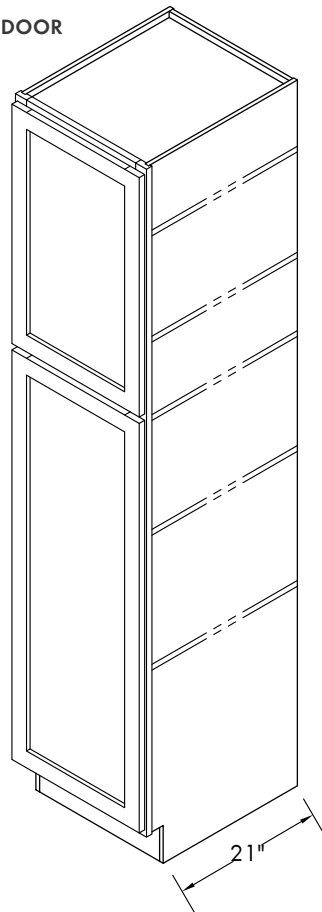
WIDTH	30" - 39"	
HEIGHT	12" - 24"	
CABINET DEPTH	24"	
SHELF DEPTH	22"	
SHELVES INCLUDED PER CABINET	12" - 15"	0
HEIGHT	18"+	1
HINGES PER DOOR	12" - 24"	2



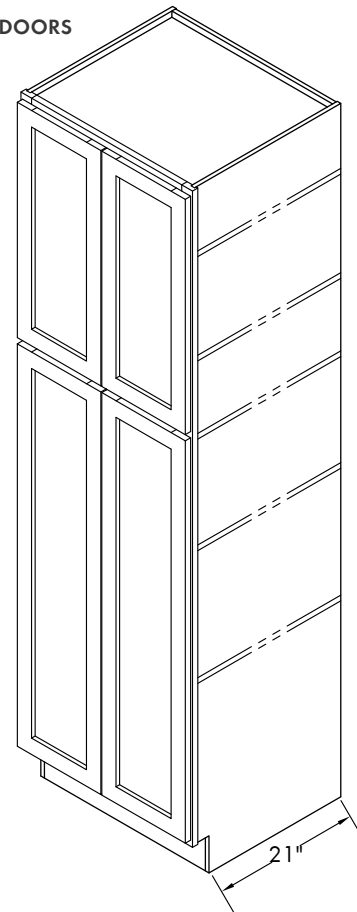
LINEN CABINET

WIDTH	18" 24"	
HEIGHT	84" 90" 96"	
TOEKICK	4.5" tall	
	2.125" deep	
CABINET DEPTH	21"	
SHELVES INCLUDED PER CABINET	84" - 90"	5
HEIGHT	96"	6
HINGES PER DOOR	Top	2
	Bottom	3

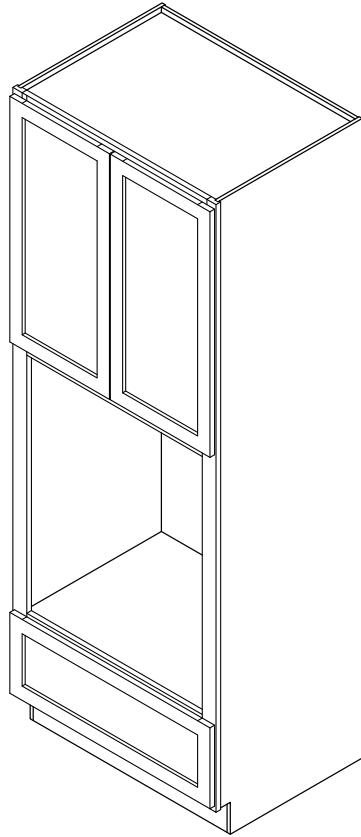
1 DOOR



2 DOORS



CABINET SPECIFICATIONS

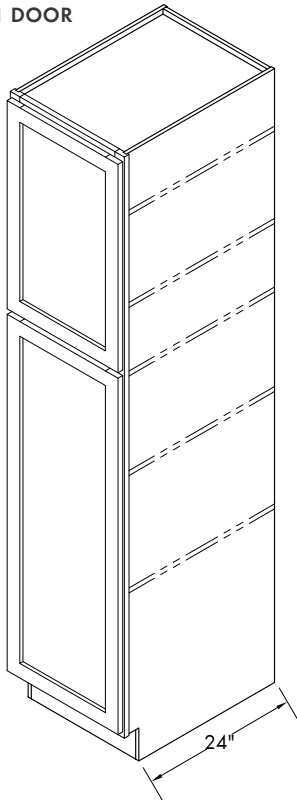


OVEN CABINET	
WIDTH	33"
HEIGHT	84" 90" 96"
TOEKICK	4.5" tall 2.125" deep
CABINET DEPTH	24"
SHELF DEPTH	22"
SHELVES INCLUDED PER CABINET HEIGHT	84" - 90" 1 96" 2
HINGES PER DOOR	2

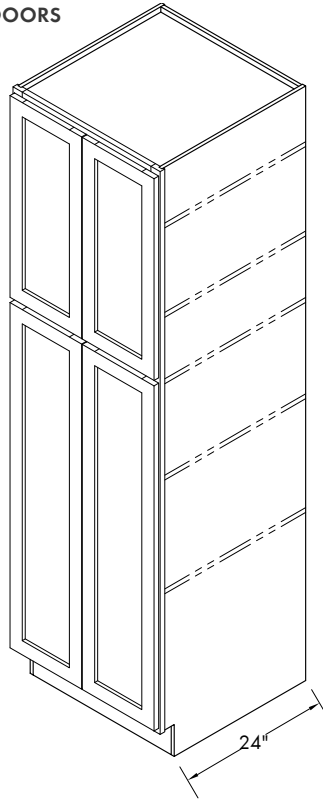
DETAILS: The oven cabinet features one drawer below the oven cavity and two doors above.

NOTE: Requires oven specifications to be sent in with order (note proper cut size).

1 DOOR



2 DOORS

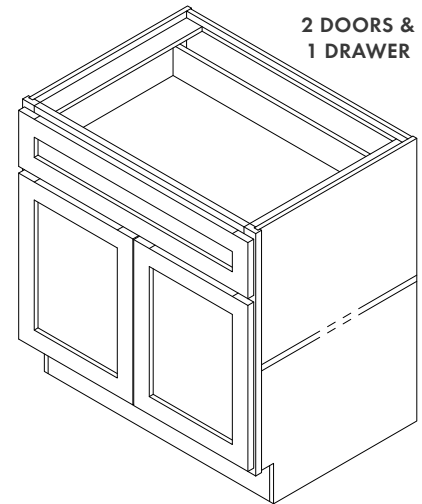
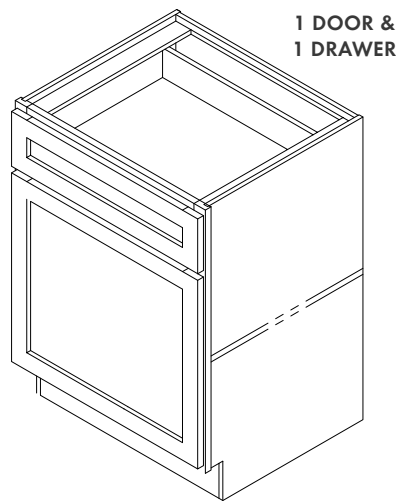


UTILITY CABINET	
WIDTH	18" 24"
HEIGHT	84" 90" 96"
TOEKICK	4.5" tall 2.125" deep
CABINET DEPTH	24"
SHELVES INCLUDED PER CABINET HEIGHT	84" - 90" 5 96" 6
HINGES PER DOOR	Top 2 Bottom 4

CABINET SPECIFICATIONS

VANITY BASE

WIDTH	12" - 36"
HEIGHT	31.5" - 34.5" (/Tall)
TOEKICK	4.5" tall 2.125" deep
CABINET DEPTH	21"
SHELF DEPTH	19"
SHELVES INCLUDED	1
HINGES PER DOOR	2

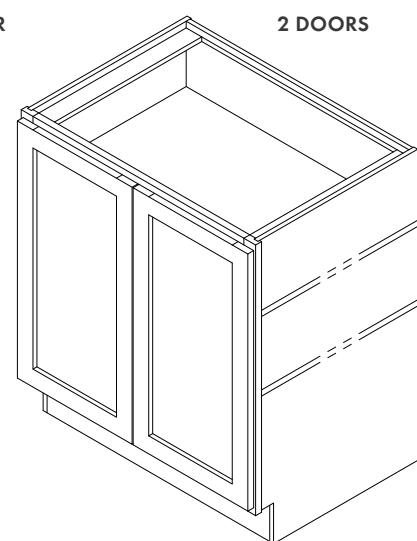
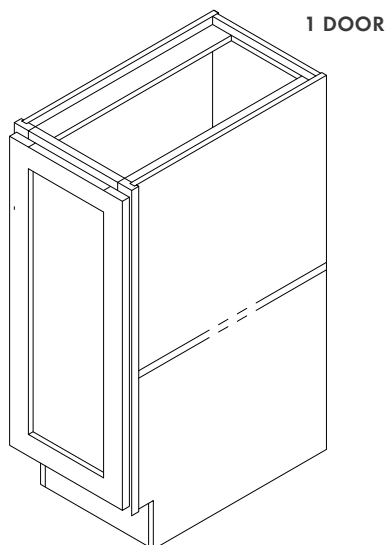


OPTIONS: Craftsman is available in increments of 1.5" from sizes 12" - 27". Available in increments of 3" from sizes 27" - 36".

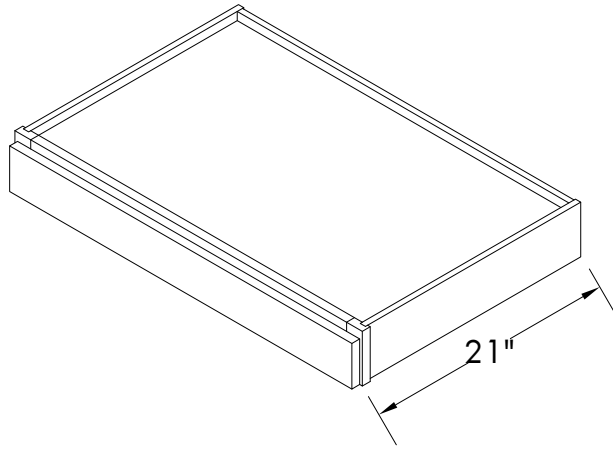
NOTE: Options available to invert the cabinet, making it a sink base with a functioning drawer on bottom.

FULL HEIGHT VANITY BASE

WIDTH	12" - 36"
HEIGHT	31.5" - 34.5" (/Tall)
TOEKICK	4.5" tall 2.125" deep
CABINET DEPTH	21"
SHELF DEPTH	19"
SHELVES INCLUDED	Normal 1 Tall 2
HINGES PER DOOR	2

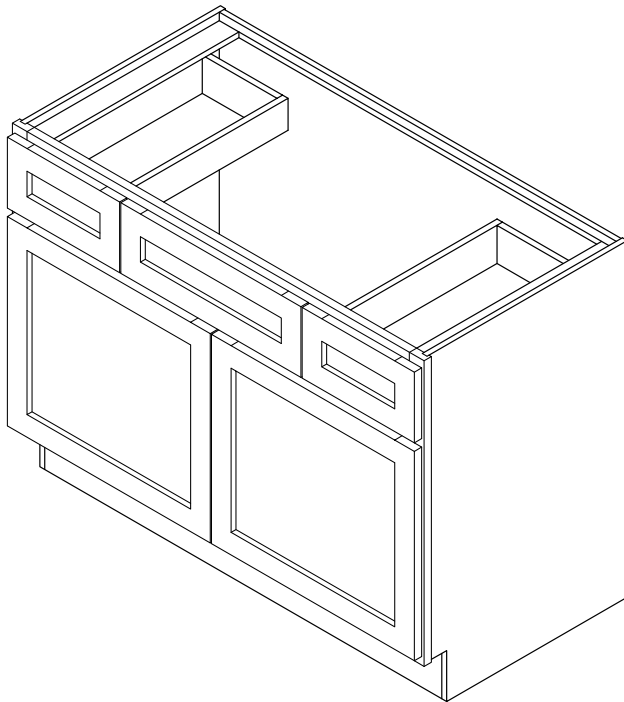


OPTIONS: Craftsman is available in increments of 1.5" from sizes 9" - 27". Available in increments of 3" from sizes 27" - 36".



VANITY KNEE DRAWER

WIDTH	24", 27", 30", 33", 36"
HEIGHT	4.5"
CABINET DEPTH	21"



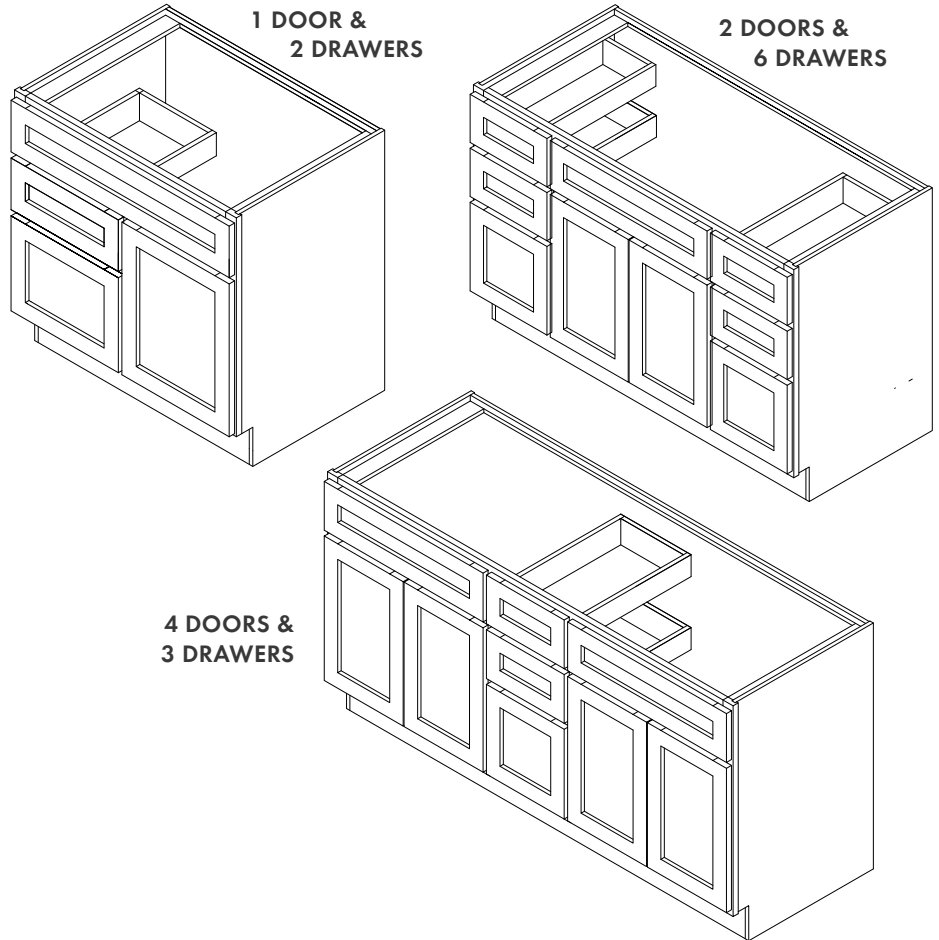
COMBO UNITS

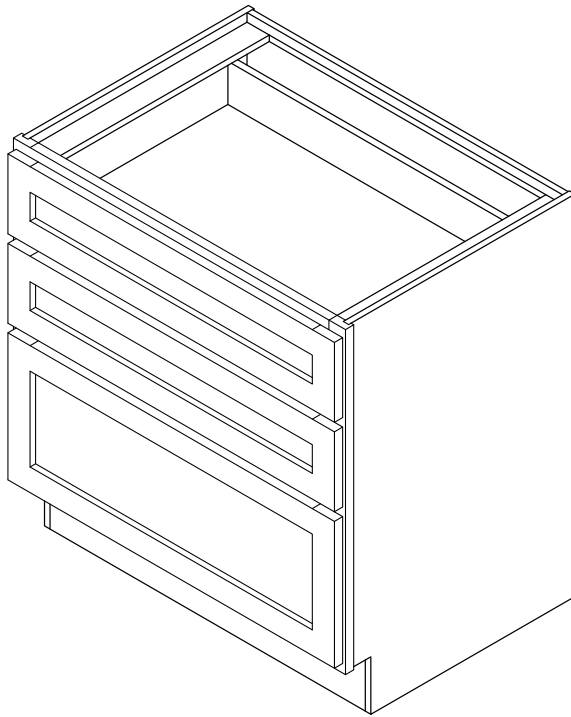
WIDTH	36" 42"
HEIGHT	31.5"
TOEKICK	4.5" tall 2.125" deep
CABINET DEPTH	21"
SHELVES INCLUDED	0
HINGES PER DOOR	2

NOTE: No shelves and no holes for shelves are provided.

VANITY ASSEMBLY

WIDTH	30", 36", 48", 60"
HEIGHT	31.5 (/Tall)
TOEKICK	4.5" tall 2.125" deep
CABINET DEPTH	21"
SHELVES INCLUDED	0
HINGES PER DOOR	2





3 DRAWER VANITY BASE

WIDTH 12" - 30"

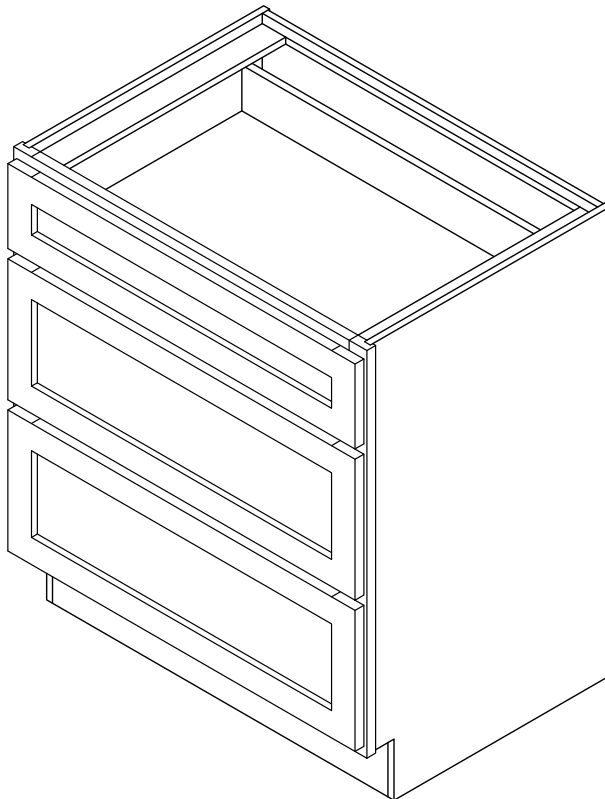
HEIGHT 31.5"

TOEKICK 4.5" tall
2.125" deep

CABINET DEPTH 21"

DETAILS: On a standard height vanity cabinet the top two drawers are of an equal more shallow depth while the bottom drawer is deeper.

NOTE: Craftsman is available in increments of 1.5" from sizes 12" - 27". Available in increments of 3" from sizes 27" - 30".



3 DRAWER VANITY BASE TALL

WIDTH 12" - 30"

HEIGHT 34.5" (/Tall)

TOEKICK 4.5" tall
2.125" deep

CABINET DEPTH 21"

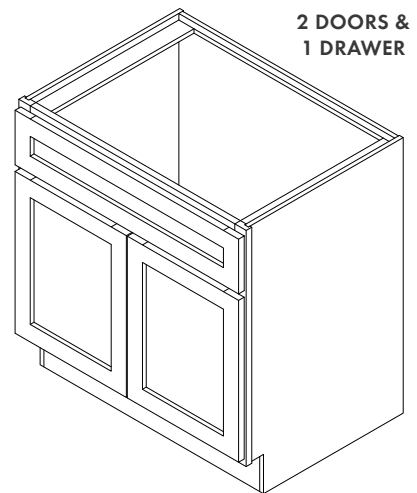
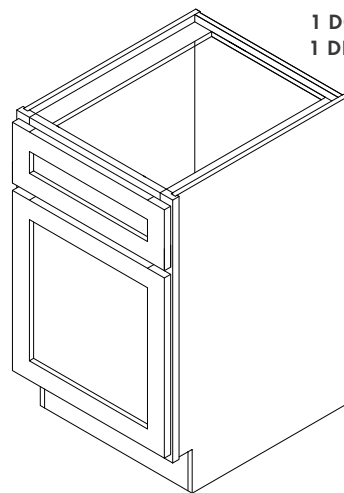
DETAILS: On a tall vanity cabinet the top drawer is shallow while the bottom two drawers are deeper and of equal size.

NOTE: Craftsman is available in increments of 1.5" from sizes 12" - 27". Available in increments of 3" from sizes 27" - 30".

CABINET SPECIFICATIONS

VANITY SINK BASE

WIDTH	18" - 36"
HEIGHT	31.5" - 34.5" (/Tall)
TOEKICK	4.5" tall 2.125" deep
CABINET DEPTH	21"
SHELVES INCLUDED	0
HINGES PER DOOR	2

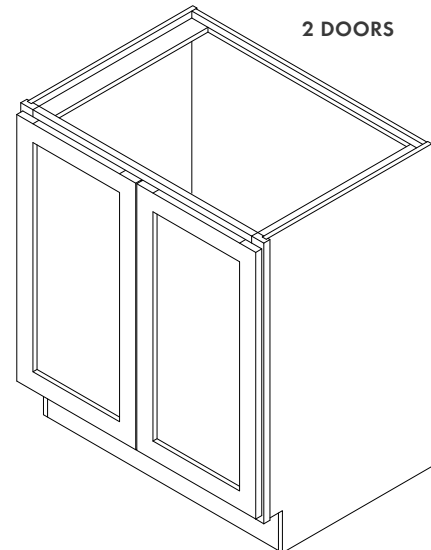
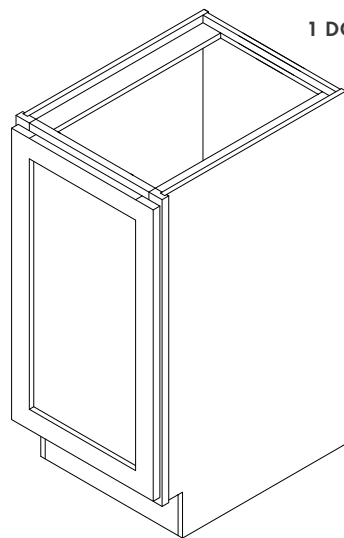


DETAILS: Craftsman is available in increments of 1.5" from sizes 18" - 27". Available in increments of 3" from sizes 27" - 36".

NOTE: No shelves and no holes for shelves are provided.

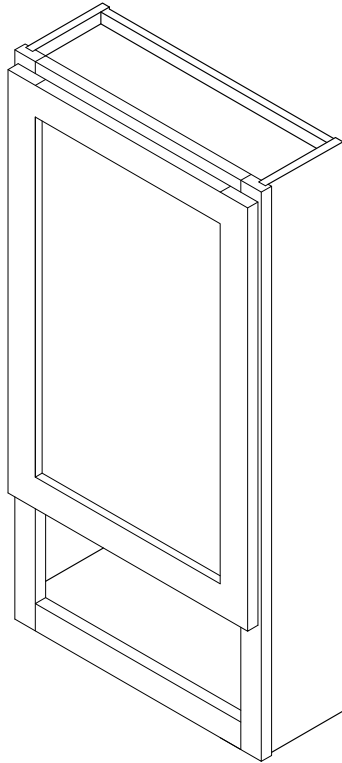
FULL HEIGHT VANITY SINK BASE

WIDTH	18" - 36"
HEIGHT	34.5" (/Tall)
TOEKICK	4.5" tall 2.125" deep
CABINET DEPTH	21"
SHELVES INCLUDED	0
HINGES PER DOOR	2



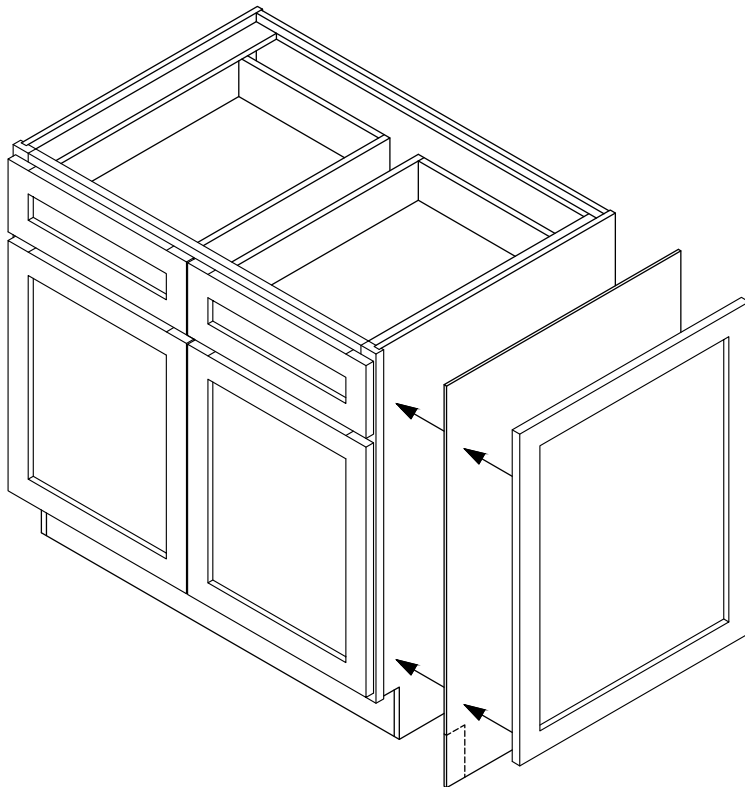
DETAILS: Craftsman is available in increments of 1.5" from sizes 12" - 27". Available in increments of 3" from sizes 27" - 39".

NOTE: No shelves and no holes for shelves are provided.



VANITY WALL CABINET

WIDTH	18", 21"
HEIGHT	30", 36"
CABINET DEPTH	6"
SHELVES INCLUDED	2
HINGES PER DOOR	2



PLANT ON DOOR

PD1230	11.5" width	28.5" height
PD1236	11.5" width	34.5" height
PD1242	11.5" width	40.5" height
PD2430	23.5" width	28.5" height

OPTIONS: Available in custom sizes. Please send exact measurements with a price request form.

DETAILS: Plant on doors match the doorstyle of cabinets they are mounted to, giving a consistent look around corners. Plant on doors require a corresponding skin underneath.

CABINET SPECIFICATIONS

BASE SKIN

WIDTH 23.25"

HEIGHT 34.5"

WALL SKIN

WIDTH 11.25"

HEIGHT 30", 36", 42"

TALL SKIN

WIDTH 23.25"

HEIGHT 96"

TOESKIN

WIDTH 96"

HEIGHT 4.5"

SKIN4848

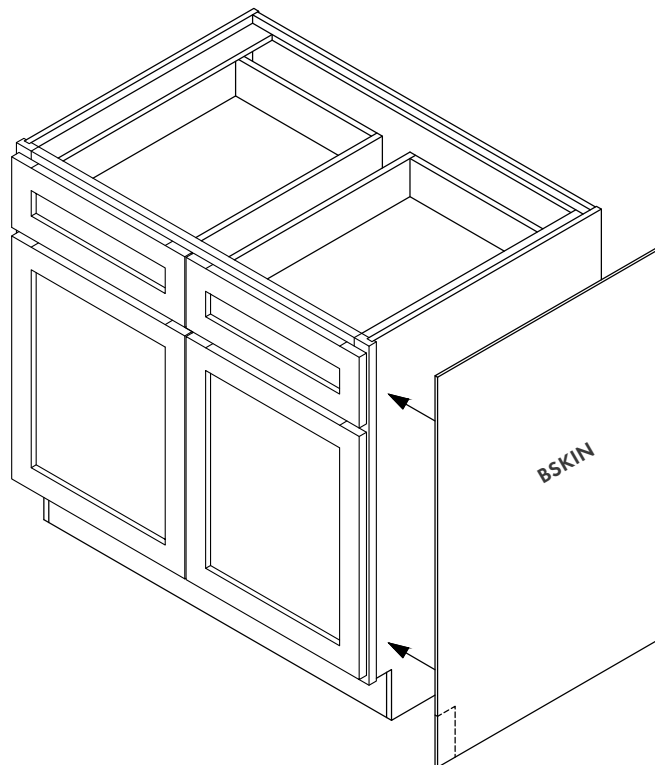
WIDTH 48"

HEIGHT 48"

SKIN4896

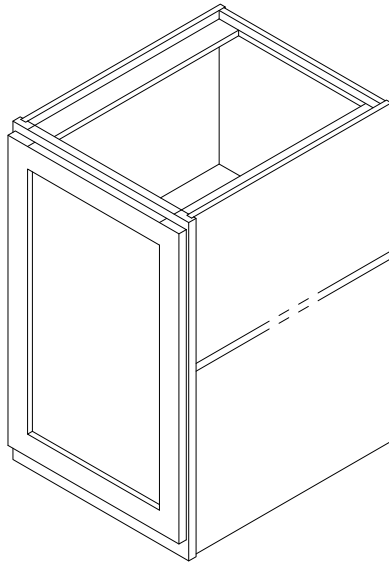
WIDTH 48"

HEIGHT 96"



DETAILS: Skins are needed for exposed cabinet ends to complete the finished look.

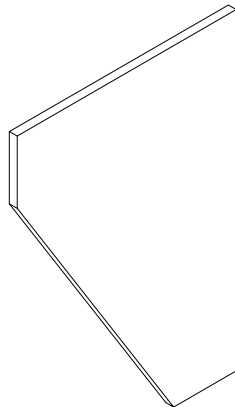
CABINET SPECIFICATIONS



FULL HEIGHT FILE CABINET

WIDTH	18"
HEIGHT	30"
CABINET DEPTH	21"
SHELVES INCLUDED	1
HINGES PER DOOR	2

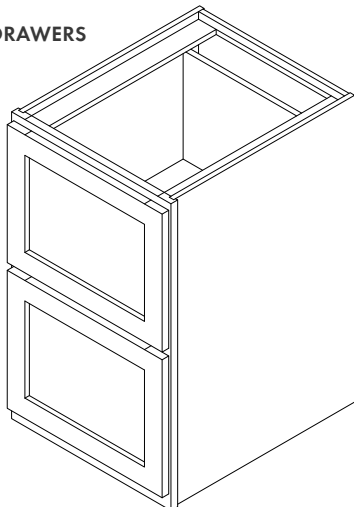
NOTE: Does not have a filing drawer.



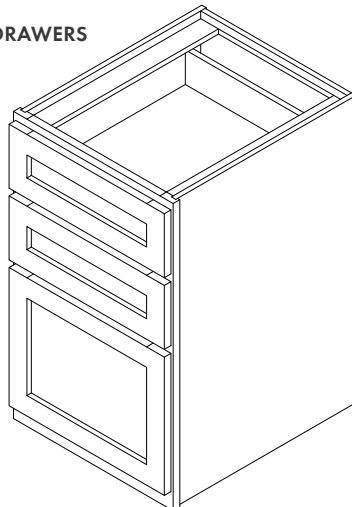
DESK END PANEL

WIDTH	21" Top, 11.5" Bottom
HEIGHT	30"
LENGTH BEFORE ANGLE	5"

2 DRAWERS



3 DRAWERS



FILE CABINET

WIDTH	18"
HEIGHT	30"
CABINET DEPTH	21"

DETAILS: File drawers will be routed for letter and legal size folders in file cabinets.

NOTE: Only one drawer in the 3DFC18 cabinet will accommodate files.

CABINET SPECIFICATIONS

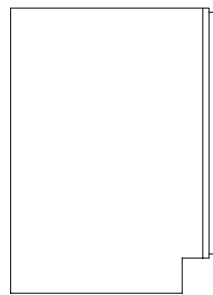
DUAL TONE CABINETS

This option gives you the ability to have the doors and drawers of a cabinet one color and the remainder of the cabinet a second color. When filling out the Order Form, the color that is selected in Order Specifications will be the frame/cabinet color. Make a note on the item line for the color of the doors/drawer faces. Make sure to add two touch up kits!

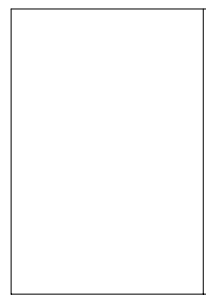


TOEKICK

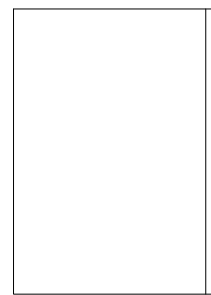
Our base cabinets come standard with a 4.5" x 2.125" toekick cut out. Modifications are available to change the style of the toekick, or remove it completely. See page 64 for details on ordering.



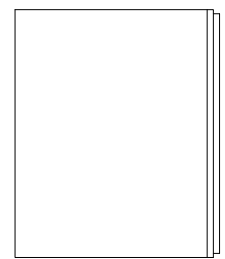
**STANDARD
TOEKICK**



**FURNITURE
TOEKICK**



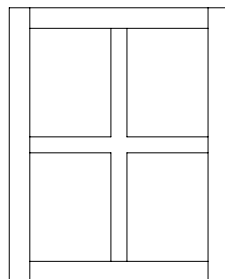
**FURNITURE
BOTTOM**



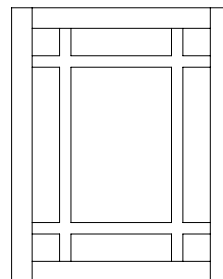
NO TOEKICK

MULLIONS

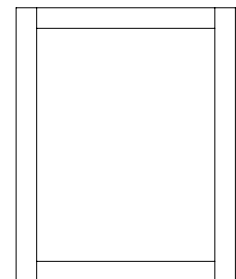
Mullions are used to divide a frame door opening and hold panes of glass. Several styles are available for Founder's Choice cabinets.



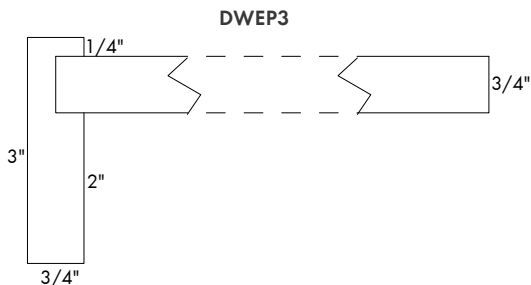
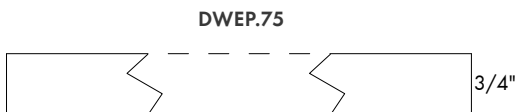
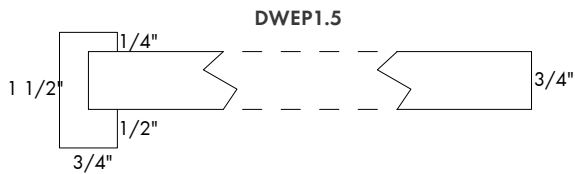
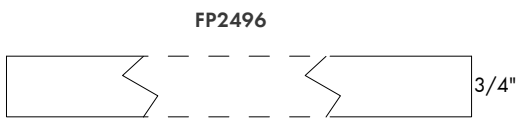
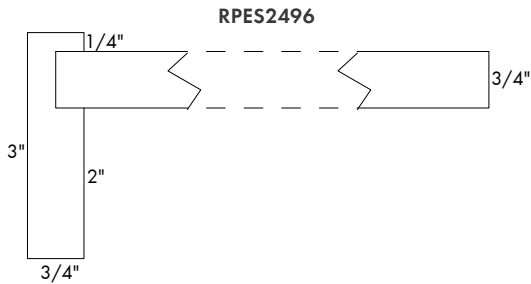
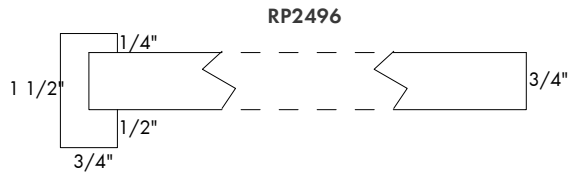
DIVIDED



FRAMED



CLEAR



REFRIGERATOR PANEL

WIDTH 24", 30"

HEIGHT 96"

DETAILS: Finished one long edge and both sides.

FINISHED PANEL

WIDTH 24", 30"

HEIGHT 96"

DETAILS: Finished one long edge and both sides only.

DISHWASHER END PANEL

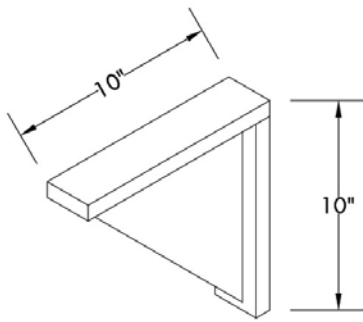
WIDTH 24"

HEIGHT 34.5"

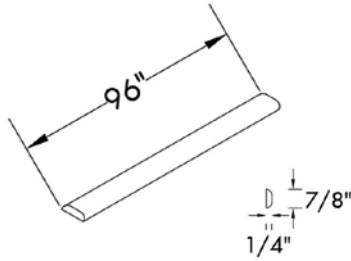
DETAILS: Finished one long edge and both sides.

TRIM & MOLDING

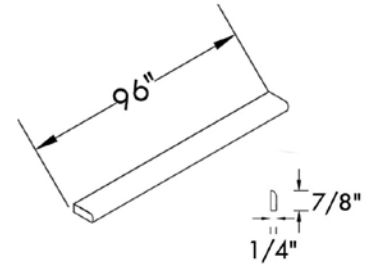
PLEASE REFERENCE THESE SPEC DRAWINGS AND DIMENSIONS WHEN ORDERING TRIM AND MOLDINGS.



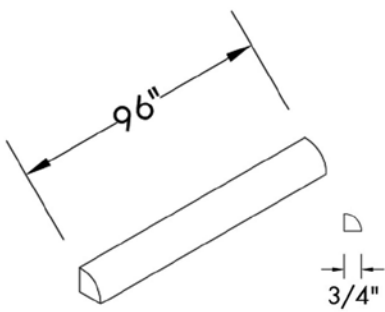
CORBEL



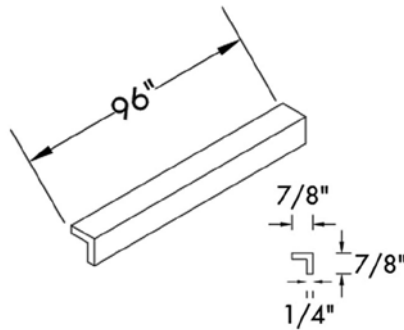
BATTEN



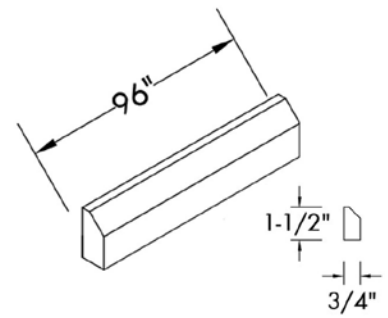
SCRIBE



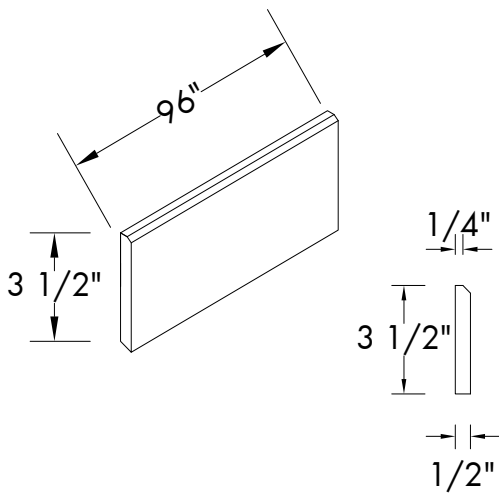
QTRRND



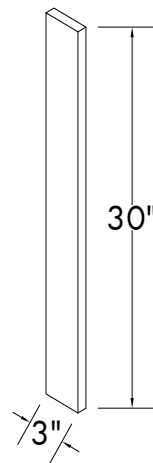
MOC90



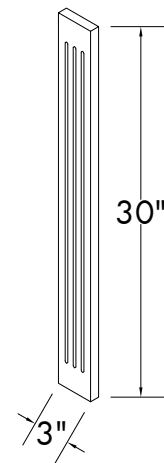
CTOP



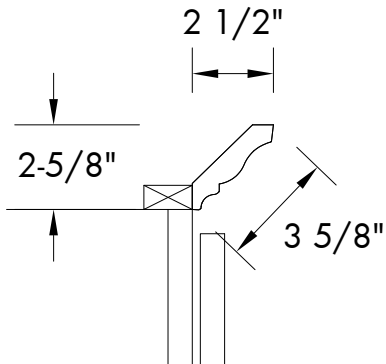
SPLASH



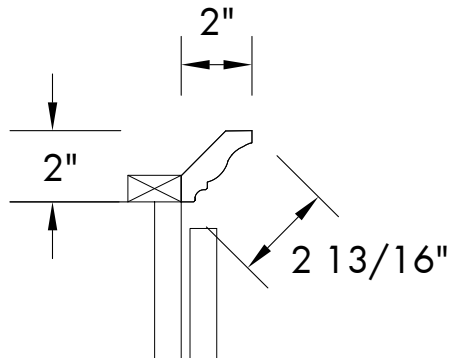
FILLER



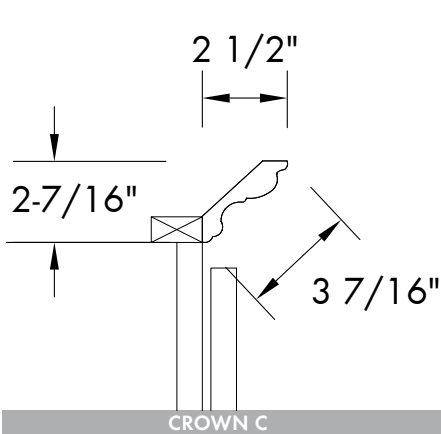
FLUTED FILLER



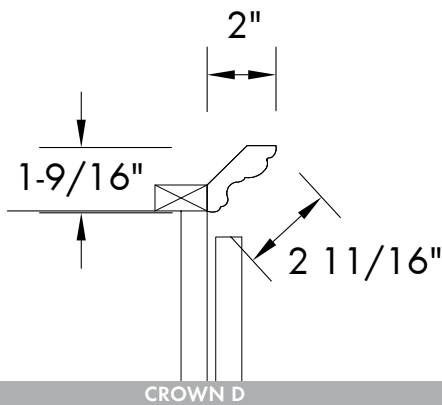
CROWN A



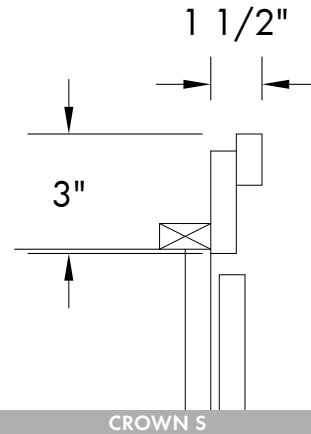
CROWN B



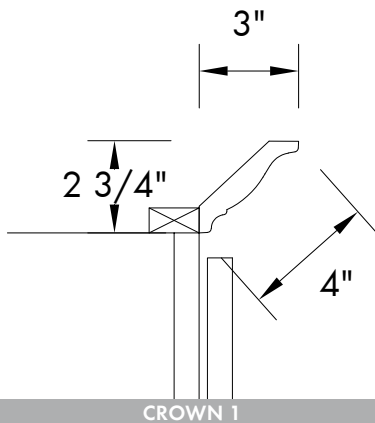
CROWN C



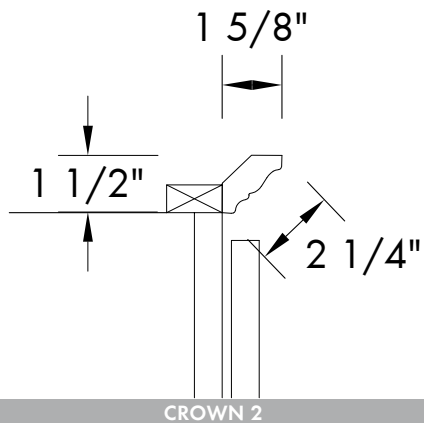
CROWN D



CROWN S



CROWN 1



CROWN 2

CRAFTSMAN

CUSTOM CABINETS

When ordering a cabinet, part, or accessory that is not listed in our Item List (reference Pages 23-30, or the Items tab of the order form) please use the below codes so that your request is handled appropriately. All of these will need a custom price request to be sent in, it will be to the customer's overall benefit to share as much information as possible with Founder's Choice. Concept sketches while not required for every custom item, are encouraged for the sake of clarity.

CUSTOM-CABINET

Non-catalog full cabinet. All require prior submission of a Custom Request form for the approved price and a concept sketch.

CUSTOM-DOOR-FRAME

Custom size frame and/or door.

CUSTOM-HOOD

Custom hood. Requires a concept sketch.

CUSTOM-PD

Custom plant on door.

CUSTOM-ROS

Custom size roll out shelving.

CUSTOM-SHELF

Custom size shelf ($\frac{3}{4}$ " ply for cabinet interior).

CUSTOM-TRIM

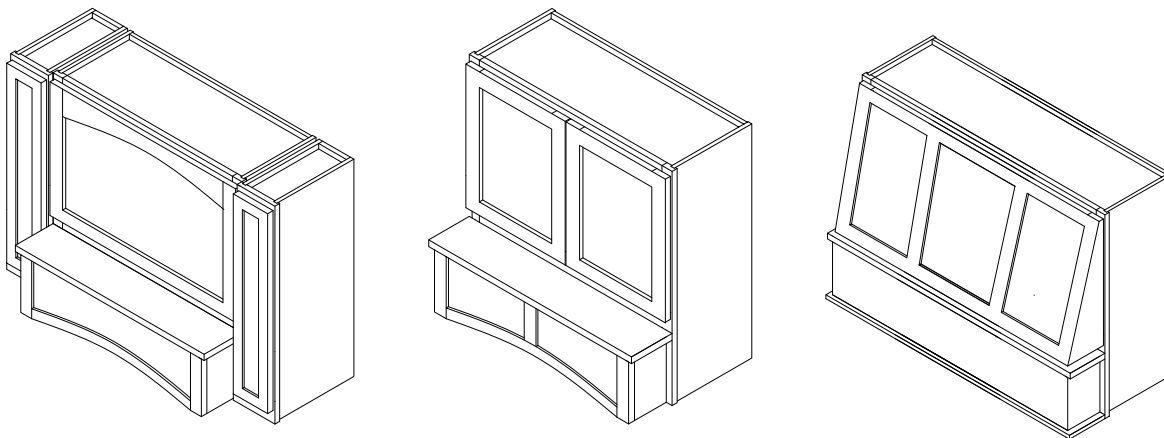
Custom size trim. Requires a concept sketch.

CUSTOM-FLOATING SHELF

Floating custom shelf.

CUSTOM HOODS

We can design a hood to fit the style of your design. The coordination of a hood liner and blower is very important, please email Orders@FoundersChoice.com for more information about our standard blower options. We can also create a custom design for a liner and blower that you specify – if you choose this option we will need the custom unit on site in order to finish fabricating the hood for a perfect fit.



EXTRA SHELVES

If an extra shelf is needed for any cabinet, please use this format for the item code:

(Cabinet type) (Cabinet Width in Inches) - SHELF

(Ex: B30-SHELF, VB27-SHELF, W36-SHELF)

PLEASE NOTE: Wall Shelf is 10" deep, Base shelf is 22" deep.

DEPTH MODIFICATIONS Specify total depth in ¼" Increments.

DECREASE DEPTH

- Wall - 6" min
- Base - 12" min (Drawers must be modified)
- Tall - 12" min

INCREASE DEPTH

- Wall - 24" max
- Base - 29" max (Drawers must be modified)
- Tall - 29" max

MODIFY FOR COOKTOP (NO CHARGE)

This notation will fix the top drawer of the corresponding cabinet in place. Allowing you to use a standard base, or drawer bank as a cooktop cabinet. Please note that sink bases used in this way will not include shelves.

- It is not Founder's Choice responsibility to know if tip out trays will work with your cook top (The trays protrude past the face frame into the cabinet 1 1/2").
- For cooktops with a Downdraft vent, we recommended a cabinet depth modification of at least 24". You will need to note this appropriately.
- It is possible to maintain a top drawer with a cooktop, however it will need to be custom fit on-site.

EXTENDED STILE

Applicable to any cabinet in the Craftsman Series. 1" increments.

- Specify the increase in stile size.
- A 1" extended stile will increase the width of the cabinet by 1"

TOEKICK

The toekick of the cabinet may be modified in any way. Use the code MOD-TOE and describe your intentions using the terms listed in the Glossary.

FINISHED INTERIOR

This option provides a color or species matched interior. For 'color matched interior' orders, the species will be White Birch.

CUT FOR GLASS

CUT FOR GLASS Depending on location of the jobsite, it may be advantageous to source glass panels locally. Glass panels are available through FC in a variety of patterns, please call for more detailed info. Please note that glass panels will not be installed, due to safe shipping considerations.

MULLIONS Mullions will mimic the inside profile of the door. Mullions will be inserted evenly (approximately one per foot of opening).



FOUNDER'S CHOICE
SELECT SERIES

“When designing our Select Series, we recognized the need for a simple and timeless look.”

Our Select Series is a modular cabinet line built in our Tacoma, WA facility; we carry all the parts and varieties in-stock which allows us to provide exceptional lead times from design to install. When designing our Select Series, we recognized the need for a simple and timeless look. To help achieve this we integrated high-quality joinery, soft close guides and hinges, finger scoop door-pulls, and hardwood doors and drawer faces as standard features. Our in-stock series offers a high level of care and quality at a competitive rate.

KEY THEMES

- Founder’s Choice Select is a framed cabinet line.
- All shelves are full depth and 3/4” plywood.
- Cabinet interior is UV finished White Birch plywood.
- We use 3” increments in many SKUs.
- Cabinets that don’t come with a shelf, are not normally drilled for shelf holes but may be present.
- Exposed ends must be covered with skins.

SELECT

I-BEAM CONSTRUCTION



DOVE TAIL DRAWER BOXES



SELECT SERIES OPTIONS



SHAKER

The Shaker doorstyle is the most popular style utilized in kitchens today. It's clean styling lends itself to almost any decor. By varying wood species, finishes and hardware it can blend seamlessly to fit everything from contemporary to traditional.



Shaker Door Profile



WHEAT



ESPRESSO



LINEN



BISCUIT



CAPPUCCINO



AMBER



CHESTNUT



MOCHA



PEARL



ASH



SLATE



JAVA



CRANBERRY



MERLOT

IN-STOCK OPTIONS

Founder's Choice keeps their most popular finishes in stock to offer a faster lead time.

ADDITIONAL OPTIONS

Select cabinets are also available in the following finish options. However, please note that they will have an additional upcharge and a longer lead time.

BASE CABINETS

Base

1 Door & 1 Drawer	B12
	B15
	B18
	B21
2 Doors & 1 Drawer	B24
	B27
	B30
2 Doors & 2 Drawers	B33
	B36
	B39

Sink Base

1 Door & 1 False Drawer	SB18
	SB21
1 Door & 2 False Drawers	SB24
	SB27
	SB30
2 Doors & 2 False Drawers	SB33
	SB36
	SB39

Full Height Base

1 Door	FHB09
	FHB12
	FHB15
	FHB18
	FHB21
2 Doors	FHB24
	FHB27
	FHB30
	FHB33
	FHB36
	FHB39

Full Height Sink Base

1 Door	FHSB18
	FHSB21
2 Doors	FHSB24
	FHSB27
	FHSB30
	FHSB33
	FHSB36
	FHSB39

3 Drawer Base

1 Small Drawer & 2 Large Drawers	3DB12
	3DB15
	3DB18
	3DB21
	3DB24
	3DB27
	3DB30

4 Drawer Base

4 Small Drawers	4DB15
	4DB18
	4DB21
	4DB24

Blind Corner Base

Blind Left	BCB36L
	BCB42L
Blind Right	BCB36R
	BCB42R

Lazy Susan

Standard	LS36
Diagonal	DLS36

TALL CABINETS

Linen Cabinet

2 Doors	LC1884
	LC1890
	LC1896
4 Doors	LC2484
	LC2490
	LC2496

Utility Cabinet

2 Doors	UC1884
	UC1890
	UC1896
4 Doors	UC2484
	UC2490
	UC2496

WALL CABINETS

12" Wall

2 Doors	W3012
	W3312
	W3612
	W3912

15" Wall

2 Doors	W3015
	W3315
	W3615
	W3915

18" Wall

2 Doors	W3018
	W3318
	W3618
	W3918

21" Wall

2 Doors	W3021
	W3621

24" Wall

2 Doors	W3024
	W3624

27" Wall

2 Doors	W3027
---------	-------

30" Wall

1 Door	W0930
	W1230
	W1530
	W1830
	W2130

30" Wall (cont.)

2 Doors	W2430
	W2730
	W3030
	W3330
	W3630
	W3930

36" Wall

1 Door	W0936
	W1236
	W1536
	W1836
	W2136

2 Doors	W2436
	W2736
	W3036
	W3336
	W3636
	W3936

42" Wall

1 Door	W0942
	W1242
	W1542
	W1842
	W2142

2 Doors	W2442
	W2742
	W3042
	W3342
	W3642
	W3942

Corner Wall

Easy Reach	WEZR2430
	WEZR2436
	WEZR2442

Diagonal	DCW2430
	DCW2436
	DCW2442
	DCW2736
	DCW2742

Microwave Wall

No Doors	MWS3018
	MWS3030
2 Doors Above Shelf	MWS3036
	MWS3042

Wall Open Shelf

Open Shelves	WOS0630
	WOS0636
	WOS0642

Wine Rack Wall

No Doors	WR1530
	WR3015

2 Doors	WR3030
	WR3036
	WR3042

Refrigerator Wall

30"	RW3012
	RW3015
	RW3018
	RW3021
	RW3024

33"	RW3312
	RW3315
	RW3318

36"	RW3612
	RW3615
	RW3618
	RW3621
	RW3624

39"	RW3918
	RW3924

SHELVING

Shelves

For Base Cabinets

B09-SHELF
B12-SHELF
B15-SHELF
B18-SHELF
B21-SHELF
B24-SHELF
B27-SHELF
B30-SHELF
B33-SHELF
B36-SHELF
B39-SHELF
BSHELF

Vanity Base

1 Door & 1 Drawer | VB12
VB15
VB18
VB21
2 Doors & 1 Drawer | VB24
VB27
VB30
2 Doors & 2 False Drawers | VB36

VANITIES

Combo Units

Doors, 2 Drawers, & 1 False Drawer | 2DVS36
2DVS42

Vanity Sink Base - Tall

1 Door & 1 False Drawer | VSB18T
VSB21T
2 Doors & 1 False Drawer | VSB24T
VSB27T
VSB30T
2 Doors & 2 False Drawers | VSB33T
VSB36T
VSB39T

3 Drawer Vanity Base

3 Drawers | 3DVB12
3DVB15
3DVB18

For Wall Cabinets

W9-SHELF
W12-SHELF
W15-SHELF
W18-SHELF
W21-SHELF
W24-SHELF
W27-SHELF
W30-SHELF
W33-SHELF
W36-SHELF
WSHELF

Vanity Base - Tall

1 Door & 1 Drawer | VB12T
VB15T
VB18T
VB21T
2 Doors & 1 Drawer | VB24T
VB27T
VB30T
2 Doors & 2 False Drawers | VB33T
VB36T
VB39T

3 Drawer Vanity Base - Tall

3 Drawers | 3DVB12T
3DVB15T
3DVB18T
3DVB21T
3DVB24T
3DVB27T
3DVB30T

Vanity Sink Base - Tall Full Height

1 Door | FHVSB18T
FHVSB21T
2 Doors | FHVSB24T
FHVSB27T
FHVSB30T
FHVSB33T
FHVSB36T
FHVSB39T

Vanity Sink Base

1 Door & 1 False Drawer | VSB18
VSB21

Vanity Base - Tall Full Height

1 Door | FHVB12T
FHVB15T
FHVB18T
FHVB21T
2 Doors | FHVB24T
FHVB27T
FHVB30T
FHVB33T
2 Doors & 2 False Drawers | FHVB36T
FHVB39T

2 Doors & 1 False Drawer | VSB24
VSB27
VSB30

2 Doors & 2 False Drawers | VSB36

Vanity Assembly

1 Door & 2 Drawers | VA30-DL
VA30-DR
VA36-DL
VA36-DR
2 Doors & 6 Drawers | VA48
VA60
4 Doors & 3 Drawers | VA60DD

For Vanity Bases

VB12-SHELF
VB15-SHELF
VB18-SHELF
VB21-SHELF
VB24-SHELF
VB27-SHELF
VB30-SHELF
VB33-SHELF
VB36-SHELF
VBSHELF

Roll Out Shelves

ROS15
ROS18
ROS21
ROS24
ROS27
ROS30
ROS33
ROS36

SELECT

ITEMS LIST

TRIM

Skin

Skin	BSKIN
	SKIN4848
	SKIN4896
	TSKIN
	TOESKIN
	WSKIN30
	WSKIN36
	WSKIN42

End Panels

Dishwasher End Panel	DWEP.75
	DWEP1.5
Finished Panel	FP2496
	FP3096
Refrigerator End Panel	RP2496
	RP3096

Crown

Crown	CROWN1
	CROWN1.12
	CROWN2
	CROWN2.12
	CROWNMDF
	CROWNS
	CRSTART03
	CRSTART06
	CRBACKER1.5
	CRBACKER12

Plant On Doors

1 False Door	PD1230
	PD1236
	PD1242
	PD2430

Other

Splash	SPLASH4
	SPLASH
	SPLASH12

Standard Filler

Filler	F1.530
	F1.536
	F1.542
	F1.596
	F0330
	F0342
	F0396
	F0630
	F0642
	F0696

Touch Up Kit	TOUCH UP
Molding	BATTEN
Corbel Simple	CORBEL1
Countertop Molding	CTOP
Molding Outside Corner	MOC90
Quarter Round	QTRRND
Scribe	SCRIBE

MODIFICATIONS

Toe Space

Toekick Modification Per Box	MOD-TOE
Toekick Removal Per Box	MOD-NOTOE

Base Cabinet

Change In Drawer Box Size - Per Drawer	MOD-B-DB-SIZE
Decrease Depth - 6" Min Depth Base Cabinet	MOD-B-DD
Increase Depth - 30" Max Depth Base Cabinet	MOD-B-ID
Modify To Range Base	MOD-B-RNG

Tall Cabinet

Decrease Depth - 6" Min Depth Tall Cabinet	MOD-T-DD
Increase Depth - 30" Max Depth Tall Cabinet	MOD-T-ID

Wall Cabinet

Reduce Roll Out Shelf To Vanity Depth	MOD-V-ROS
Decrease Depth - 6" Min Depth Wall Cabinet	MOD-W-DD
Increase Depth - 24" Max Depth Wall Cabinet	MOD-W-ID
Credit for sample door that was previously paid	SAMPLE DOOR CREDIT

Vanities

Change In Drawer Box Size (12in min Per Drawer) Vanity Cabinet	MOD-V-DB-SIZE
Decrease Depth - 6" Min Depth Vanity Cabinet	MOD-V-DD
Increase Depth - 30" Max Depth Vanity Cabinet	MOD-V-ID
Modify a Vanity Base to a Vanity Sink Base Inverted	MOD-V-INV

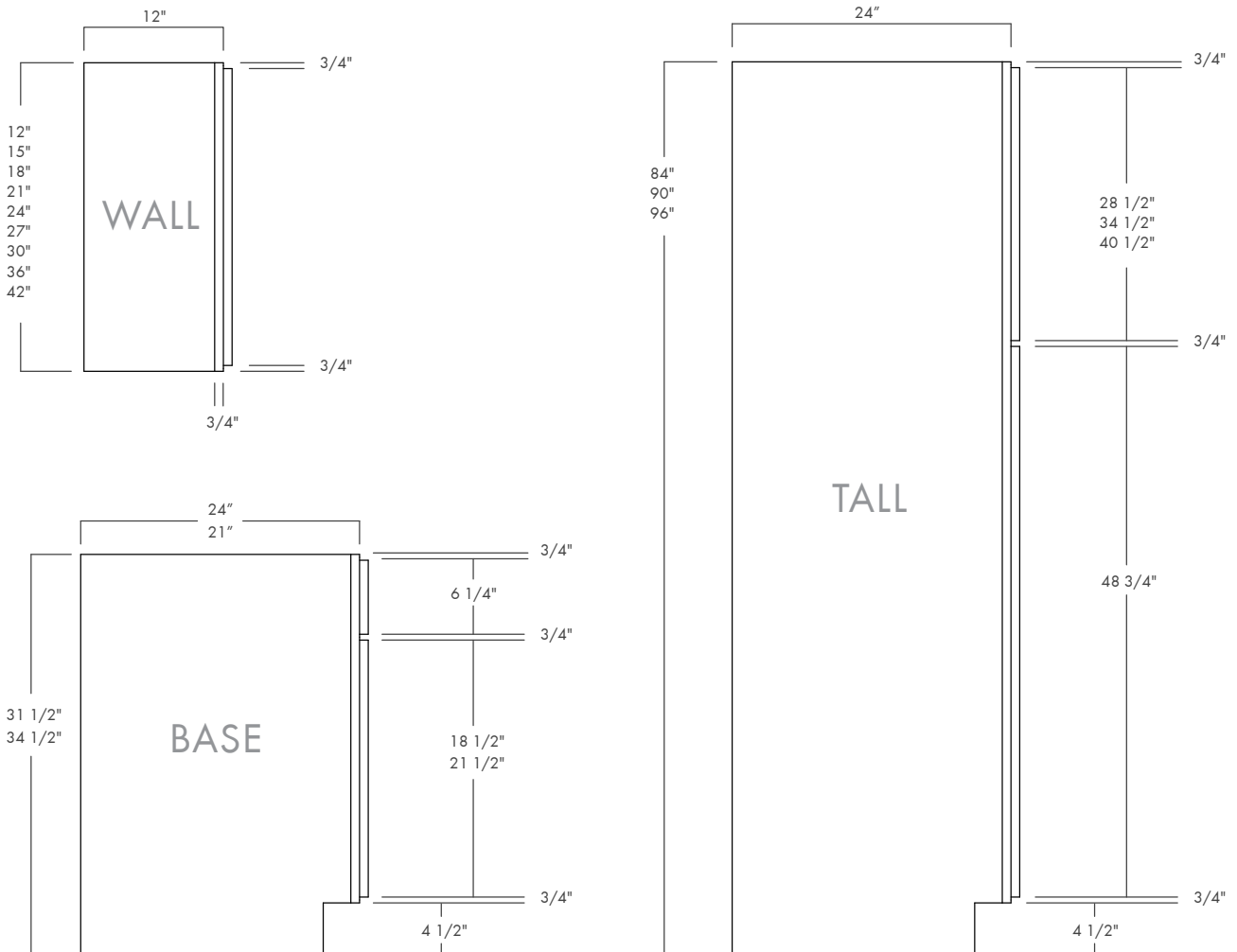
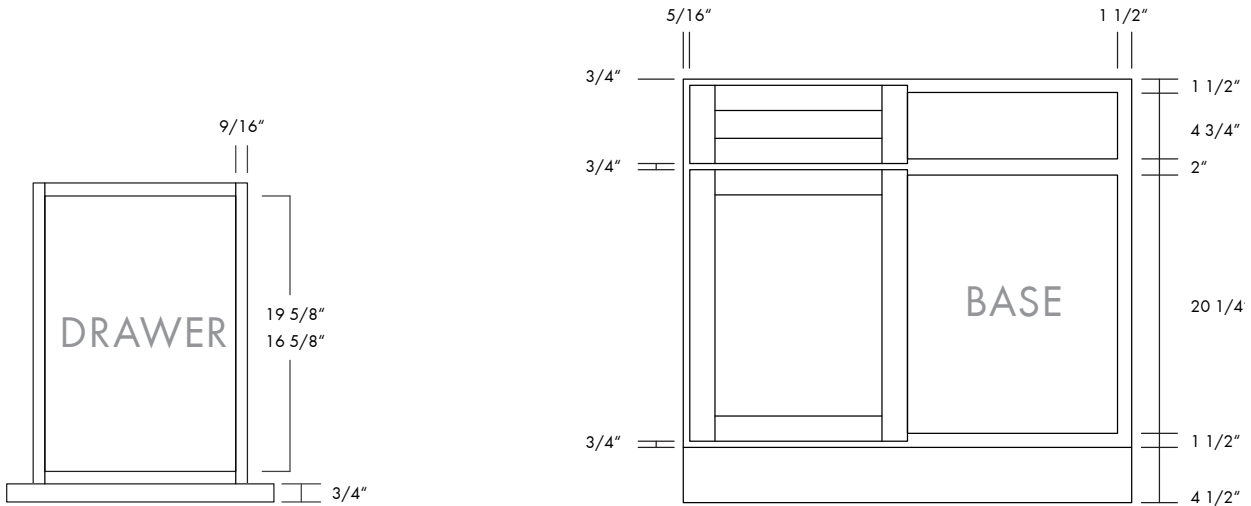
ACCESSORIES

Beverages		Cutting Boards		Hardware		
Stemware	STEMWARE-BRASS	Bread Board	BREAD BOARD 16	Knobs	K-1-143	
	STEMWARE-BRONZE		BREAD BOARD 18		K-1-195	
	STEMWARE-CHROME		BREAD BOARD 24		K-1-BORB	
	STEMWARE-NICKLE	Butcher Block (fits B 15-24)	BUTCHER BLOCK		K-2-195	
Wine Bottles	WINE BOTTLE-BRASS		Mixer Lift		MIXER LIFT	K-2-BORB
	WINE BOTTLE-BRONZE					K-3-143
	WINE BOTTLE-CHROME					K-3-195
	WINE BOTTLE-NICKLE	K-3-BORB				
For Full Height Cabinets	Base Pullouts		For Sink Bases		Tip Out Trays	Pulls
	BASE PULLOUT (5)	TIP OUT TRAY SB24				
	BASE PULLOUT (8)	TIP OUT TRAY SB30		P-1-195		
	BASE PULLOUT (11)	TIP OUT TRAY SB33		P-1-BORB		
	BASE PULLOUT (14)	TIP OUT TRAY SB36		P-2-195*		
For Full Height BCB	FHBCB PULLOUT-PREMIERE42	TIP OUT TRAY SB39	Misc. Knobs & Pulls	PULL-NONSTOCK		
	FHBCB PULLOUT-PREMIERE45					
For Standard Bases	Nested Cutlery Drawers		Filler Pullout	Filler Pullouts	*Please note that this is the only hardware available with a 24 hour lead time. All other hardware is available at cabinet lead time.	
	NESTED CUTLERY DRAWER 15	FILLER PULLOUT (3)				
	NESTED CUTLERY DRAWER 18	FILLER PULLOUT (6)				
	NESTED CUTLERY DRAWER 21	Tray Dividers	Wood	WOOD TRAY DIVIDER		
	NESTED CUTLERY DRAWER 24					Chrome
Single	Recycle & Compost		For Attaching Skins	Misc.		
	COMPOST BIN-SINGLE					ADHESIVE200
Double	RECYCLE SINGLE-WOOD REV	3/4" Plywood	BUILD UP STRIP			
	RECYCLE CENTER-CHROME SALICE					
	RECYCLE CENTER-FHB21					
	RECYCLE CENTER-WOOD REV					
	COMPOST BIN-DOUBLE					

SELECT

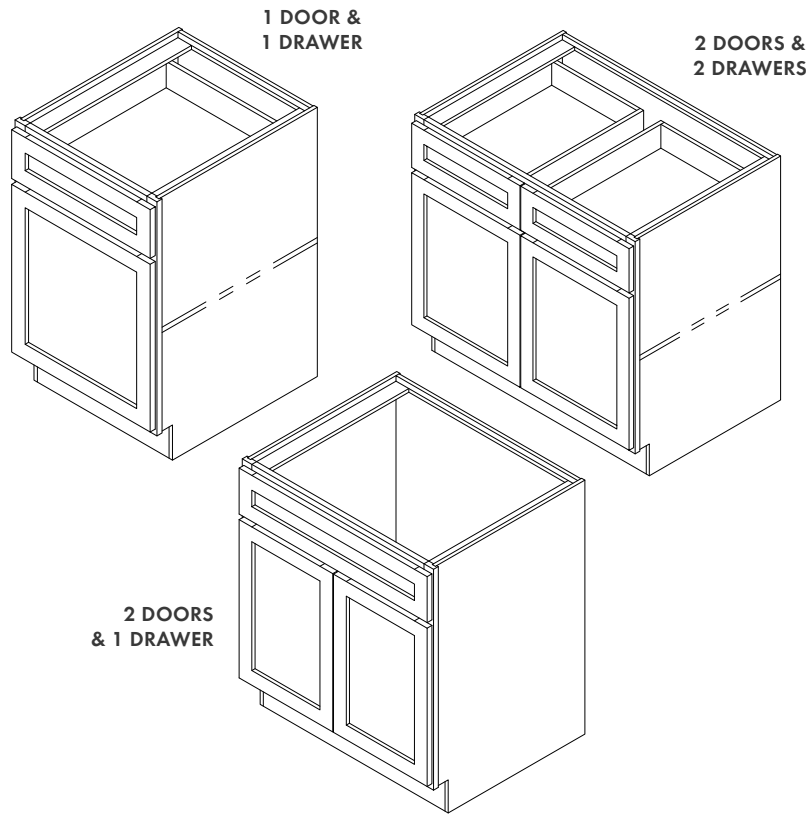
CABINET SPECIFICATIONS

These are the specifications for our Select Series cabinets.



FINISHED TOEKICK SPACE IS 4.5" TALL AND 2.125" DEEP.

CABINET SPECIFICATIONS

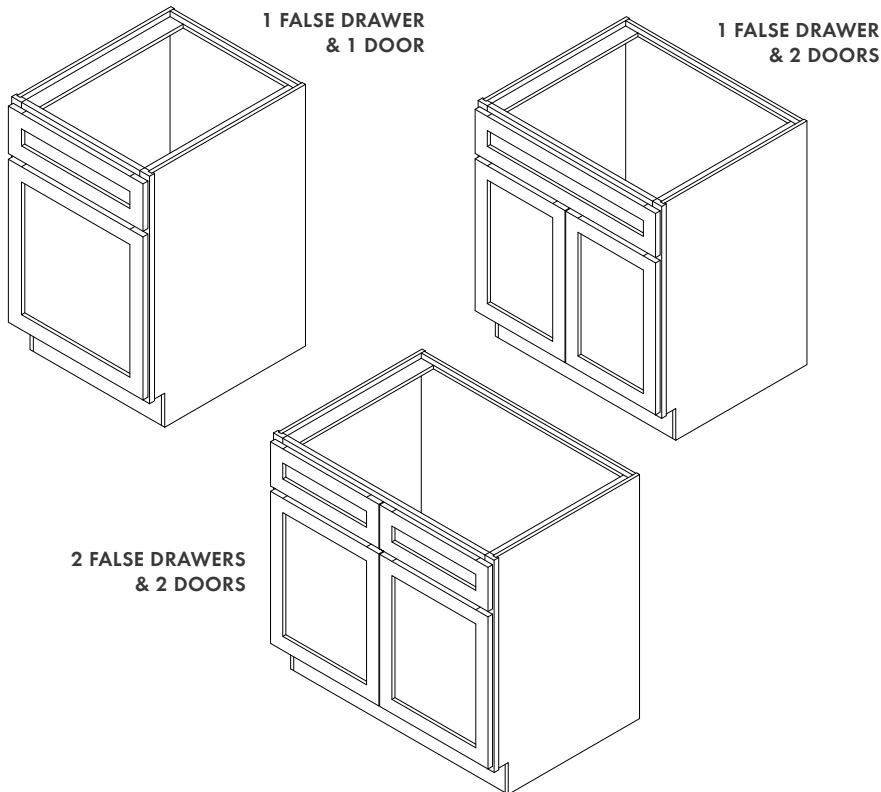


STANDARD BASE

WIDTH	12" - 39"
HEIGHT	34.5"
TOEKICK	4.5" tall 2.125" deep
CABINET DEPTH	24"
SHELF DEPTH	22"
SHELVES INCLUDED	1
HINGES PER DOOR	2

DETAILS: Available in increments of 3".

NOTE: 12"-33" bases have one drawer and 33"-39" have two drawers.



SINK BASE

WIDTH	18" - 39"
HEIGHT	34.5"
TOEKICK	4.5" tall 2.125" deep
CABINET DEPTH	24"
SHELVES INCLUDED	0
HINGES PER DOOR	2

OPTIONS: Available in increments of 3".

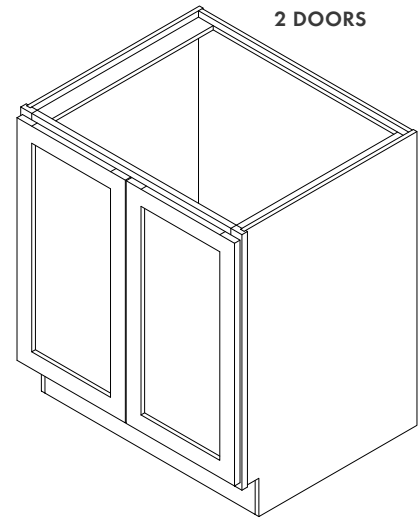
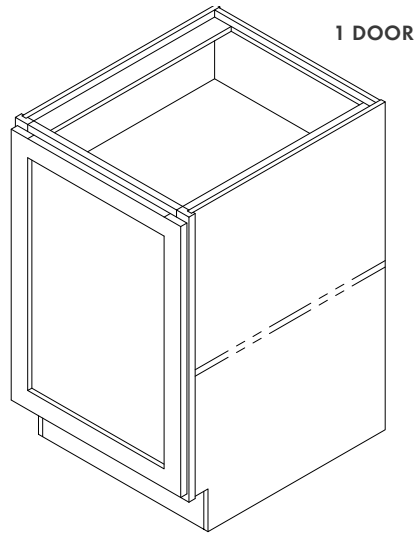
NOTE: No shelves and no holes for shelves are provided. False drawer attached.

SELECT

CABINET SPECIFICATIONS

FULL HEIGHT BASE

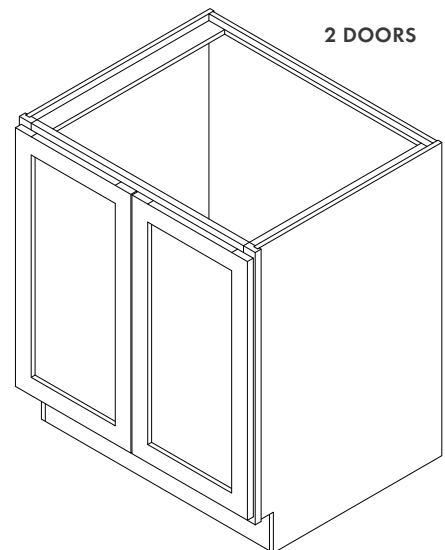
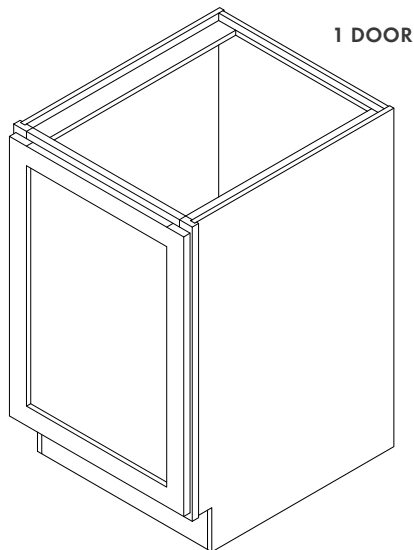
WIDTH	9" - 39"
HEIGHT	34.5"
TOEKICK	4.5" tall 2.125" deep
CABINET DEPTH	24"
SHELF DEPTH	22"
SHELVES INCLUDED	1
HINGES PER DOOR	2



NOTE: Available in increments of 3".

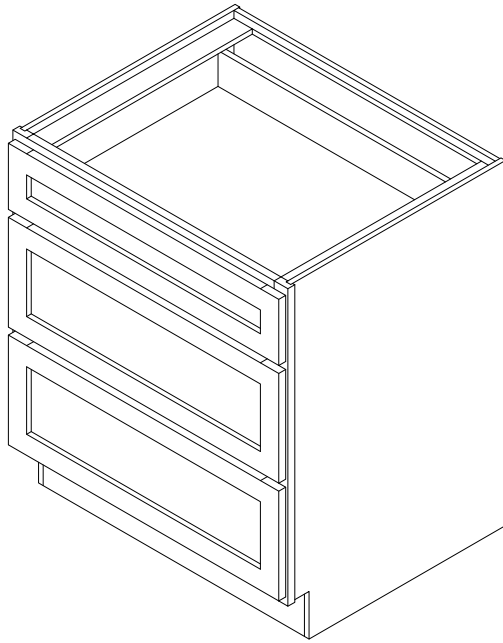
FULL HEIGHT SINK BASE

WIDTH	18" - 39"
HEIGHT	34.5"
TOEKICK	4.5" tall 2.125" deep
CABINET DEPTH	24"
SHELVES INCLUDED	0
HINGES PER DOOR	2



OPTIONS: Available in increments of 3".

NOTE: No shelves will be provided.

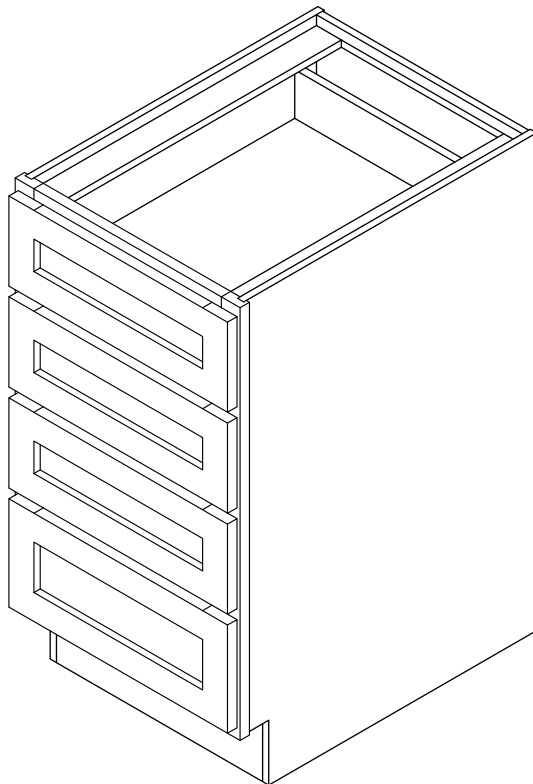


3 DRAWER BASE

WIDTH	12" - 30"
HEIGHT	34.5"
TOEKICK	4.5" tall 2.125" deep
CABINET DEPTH	24"

DETAILS: One cutlery drawer on top (3.25" deep) , two larger 6.5" deep drawers below.

OPTIONS: Available in increments of 3" from sizes 12" - 30".



4 DRAWER BASE

WIDTH	15" - 24"
HEIGHT	34.5"
TOEKICK	4.5" tall 2.125" deep
CABINET DEPTH	24"

DETAILS: Each drawer is the same depth (3.25" deep) , the top three drawers have the same drawer face while the bottom drawer has a slightly larger drawer face.

OPTIONS: Available in increments of 3" from sizes 15" - 24".

CABINET SPECIFICATIONS

BLIND CORNER BASE

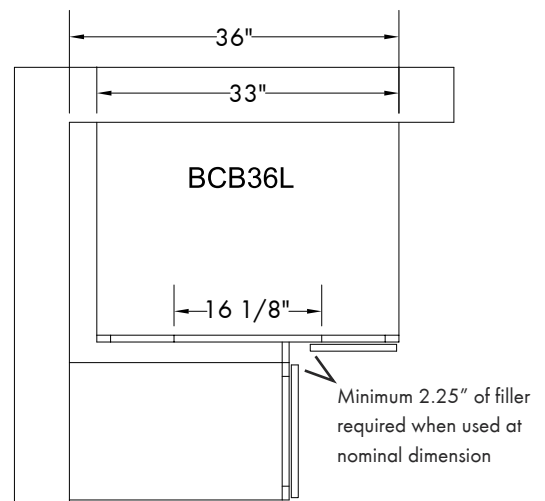
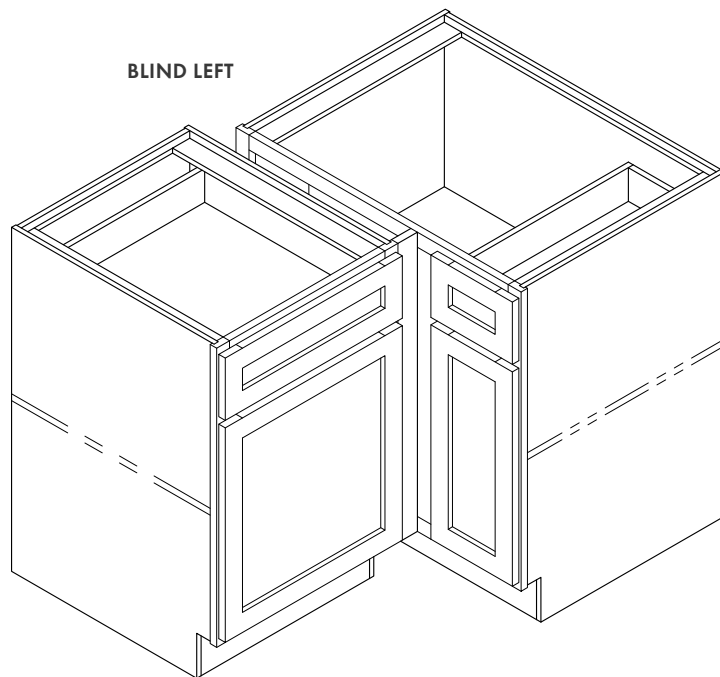
WIDTH	36" - 42"
HEIGHT	34.5"
TOEKICK	4.5" tall 2.125" deep
CABINET DEPTH	24"
SHELF DEPTH	22"
DRAWER DEPTH	3.25"
SHELVES INCLUDED	1
HINGES PER DOOR	2

SPECIFICATIONS	36" door width	9.5"
	Opening width	7"
	42" door width	16"
	Opening width	13"

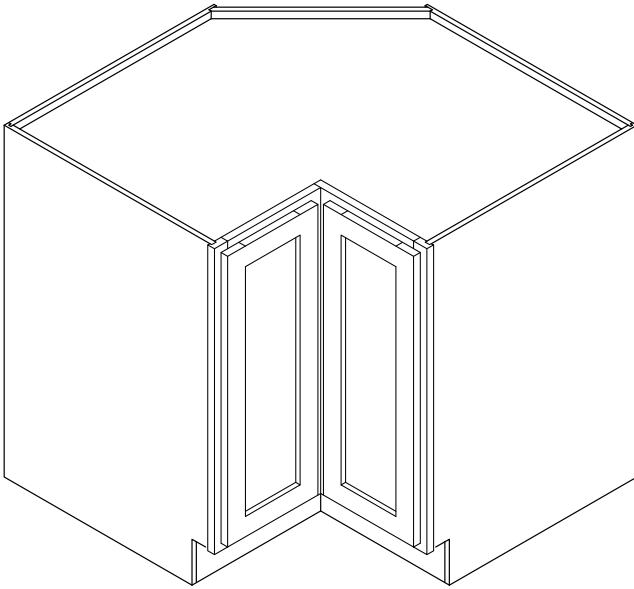
DETAILS: This cabinet is ordered as a Blind Left or Blind Right as it makes a difference in the construction of the cabinet.

NOTE: Blind cabinets always hinge on the blind side - BCB45L hinges left.

NOTE: Min filler size is 2.25".



CABINET SPECIFICATIONS

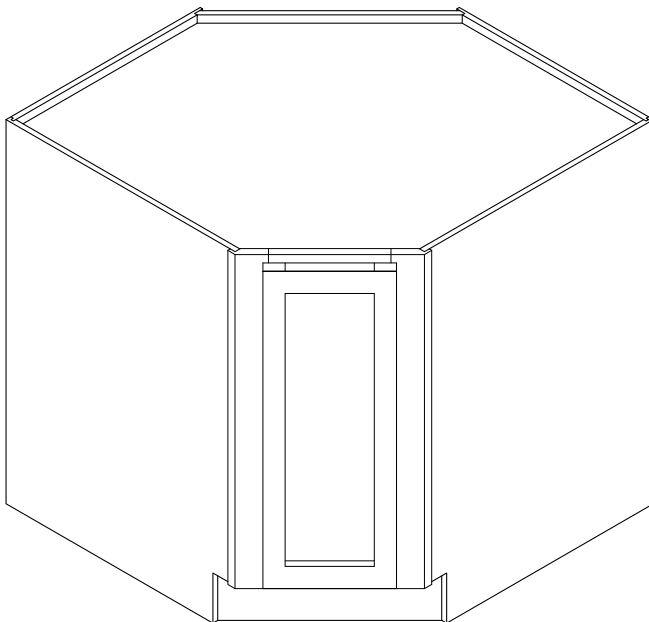


STANDARD LAZY SUSAN CORNER BASE

WIDTH	36"
HEIGHT	34.5"
TOEKICK	4.5" tall 2.125" deep
FACE	12" (each way)
SHELVES INCLUDED	2 shelf mounted lazy susan spinners
HINGES PER DOOR	2

DETAILS: There are two door panels, joined at the corner with hinges, the door opens hinging at the right or left of the cabinet (swiveling both doors outward).

NOTE: 36" Space needed from each wall.



DIAGONAL LAZY SUSAN CORNER BASE

WIDTH	36"
HEIGHT	34.5"
TOEKICK	4.5" tall 2.125" deep
FACE	17"
SHELF OPTIONS	Lazy Susan rotating shelves 2
HINGES PER DOOR	2

NOTE: 36" Space needed from each wall.

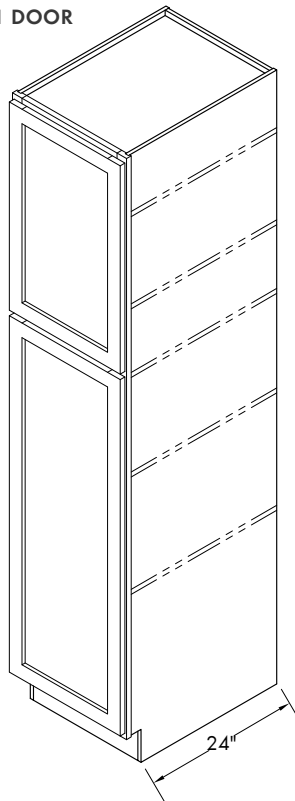
SELECT

CABINET SPECIFICATIONS

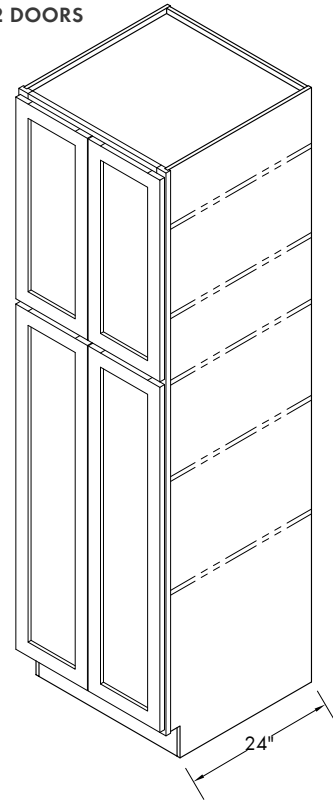
UTILITY CABINET

WIDTH	18" 24"	
HEIGHT	84" 90" 96"	
TOEKICK	4.5" tall 2.125" deep	
CABINET DEPTH	24"	
SHELVES INCLUDED	84" - 90"	5
	96"	6
HINGES PER DOOR	Top	2
	Bottom	3

1 DOOR



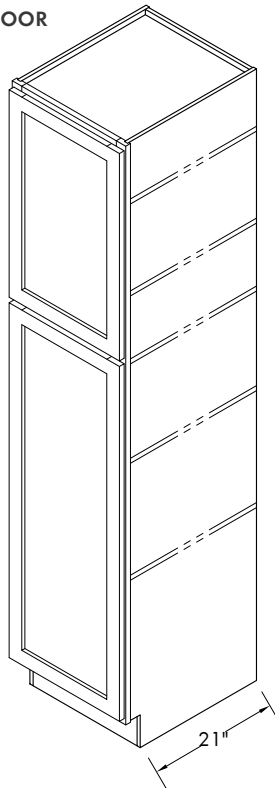
2 DOORS



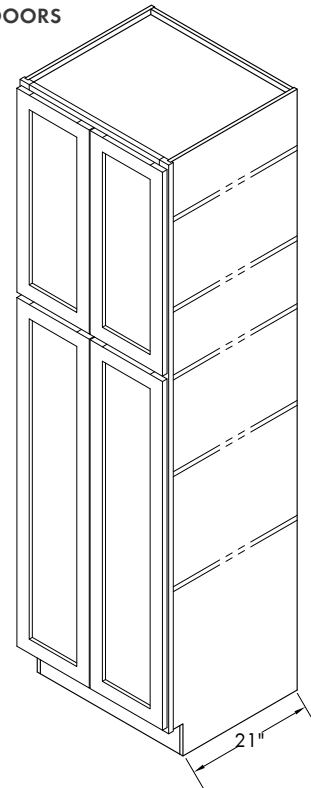
LINEN CABINET

WIDTH	18" 24"	
HEIGHT	84" 90" 96"	
TOEKICK	4.5" tall 2.125" deep	
CABINET DEPTH	21"	
SHELVES INCLUDED	84" - 90"	5
	96"	6
HINGES PER DOOR	Top	2
	Bottom	3

1 DOOR

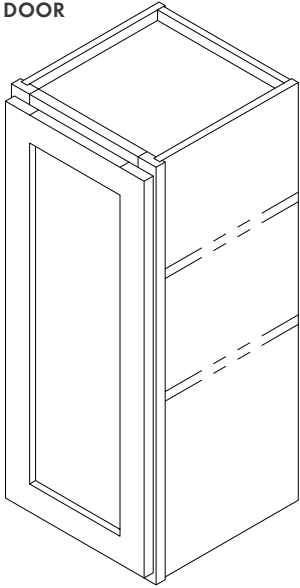


2 DOORS

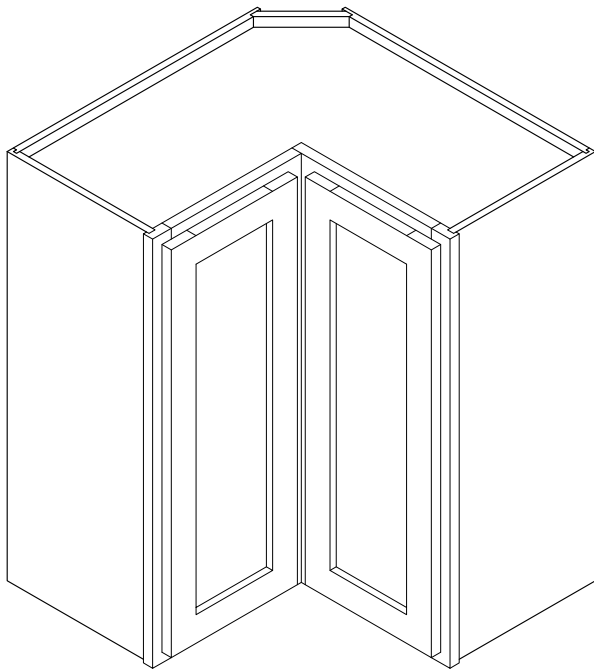
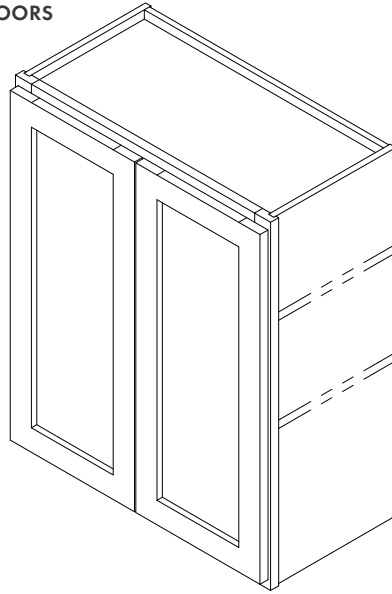


CABINET SPECIFICATIONS

1 DOOR



2 DOORS



STANDARD WALL

WIDTH	9" - 39"	
HEIGHT	12" - 42"	
CABINET DEPTH	12"	
SHELF DEPTH	10"	
SHELVES INCLUDED PER CABINET HEIGHT	12" - 15"	0
	18" - 27"	1
	30" - 36"	2
	42"	3
HINGES PER DOOR	12" - 36"	2
	42"	3

WALL EASY REACH

WIDTH	24"	
HEIGHT	30" 36" 42"	
CABINET DEPTH	12"	
SHELF DEPTH	10"	
SHELVES INCLUDED PER CABINET HEIGHT	30" - 36"	2
	42"	3
HINGES PER DOOR	30" - 36"	2
	42"	3

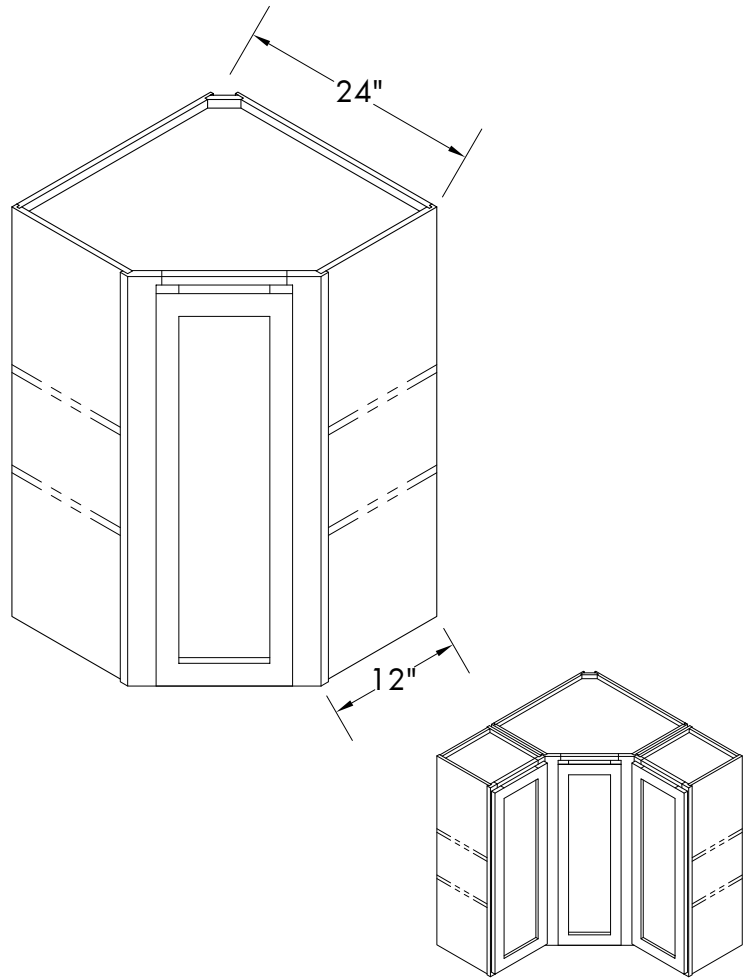
DETAILS: Wall Easy Reach is a wall corner cabinet. It is a 90 degree cabinet with 12" of accessibility from the corner out in both directions. There are two door panels, joined at the corner with hinges, the door opens hinging at the right or left of the cabinet (swiveling both doors outward).

SELECT

CABINET SPECIFICATIONS

DIAGONAL CORNER WALL

WIDTH	24" - 27"	
HEIGHT	30"	
	36"	
	42"	
CABINET DEPTH	24" - 27"	
SHELF DEPTH	12" - 15"	
SHELVES INCLUDED PER CABINET HEIGHT	30" - 36"	2
	42"	3
HINGES PER DOOR	30"	2
	36" - 42"	3



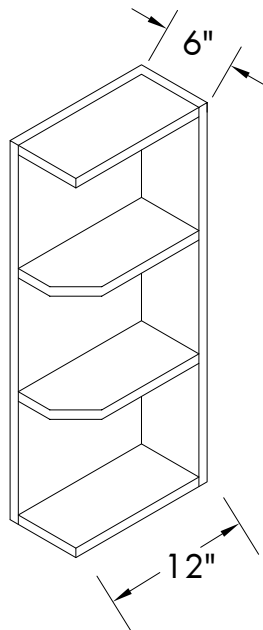
DETAILS: Wall corner cabinet with a 45 degree angled door and full depth shelves.

NOTE: The 27" deep DCW extends further than the standard wall cabinet depth and always require skins.

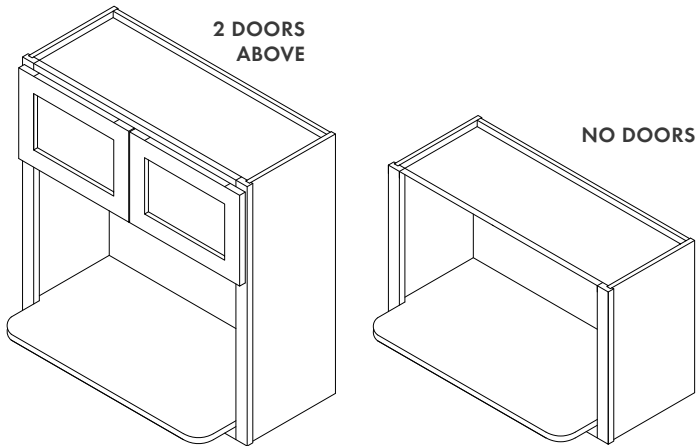
WALL OPEN SHELF

WIDTH	6"	
HEIGHT	30" 36" 42"	

DETAILS: Wall Open shelf is designed to cap the end of a wall cabinet run. Open shelves will always have a finished interior.



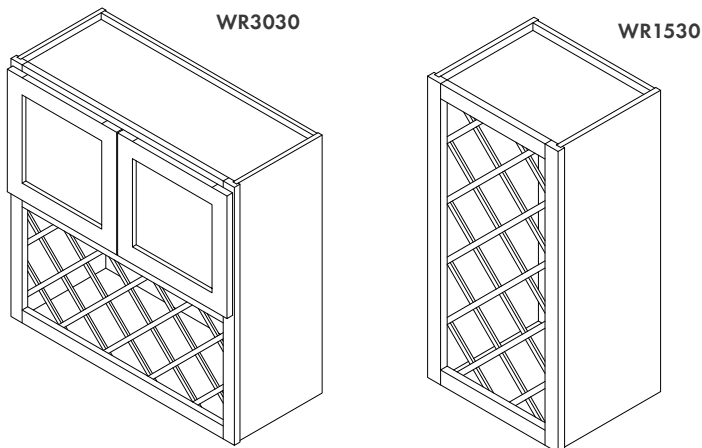
CABINET SPECIFICATIONS



MICROWAVE WALL

WIDTH	30"
HEIGHT	30" 36" 42"
MAX RECOMMENDED MICROWAVE SIZE	26" wide 15" tall 16" deep

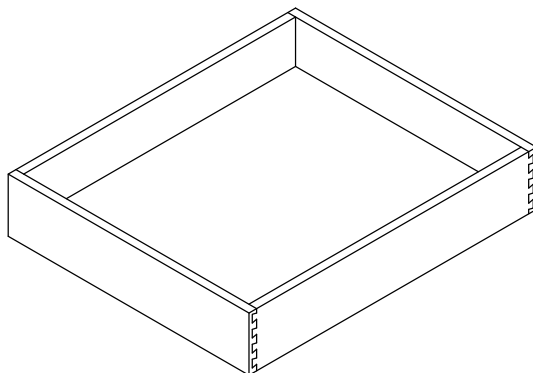
DETAILS: Microwave shelf cabinet is a wall cabinet that includes a finished shelf 17 1/4" deep for the microwave to sit on and two doors above the shelf for additional storage. (MWS3018 does not have any doors above the microwave opening).



WINE RACK

WIDTH	WR1530	15"
	WR3030	30"
HEIGHT	WR1530	30"
	WR3030	30"

NOTES: Finished interior is standard. Wine rack holds 12 bottles.



ROLL OUT SHELF

WIDTH	15" - 36"
HEIGHT	Drawer box interior dimensions
SHELF DEPTH	Fits 24" cabinet depth
SHELVES INCLUDED	1

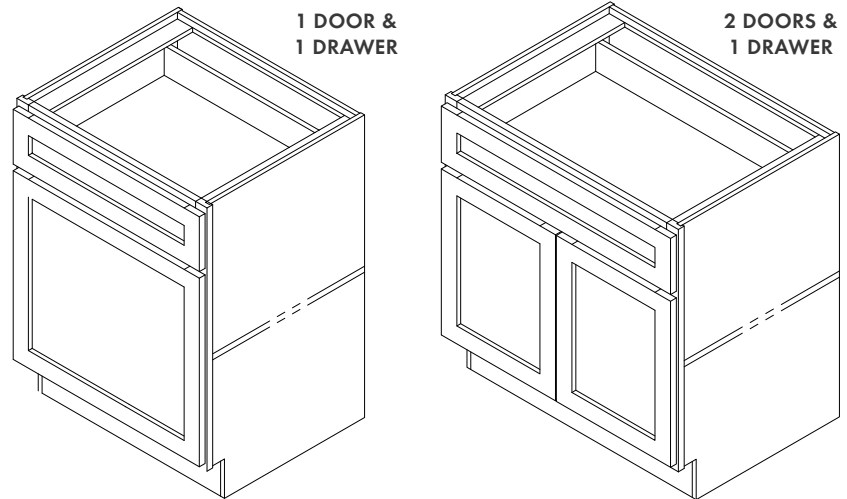
OPTIONS: Also available in custom sizes in Craftsman.

SELECT

CABINET SPECIFICATIONS

VANITY BASE

WIDTH	12" - 36"	
HEIGHT	31.5" - 34.5" (/T)	
TOEKICK	4.5" tall 2.125" deep	
CABINET DEPTH	21"	
SHELF DEPTH	19.125"	
SHELVES INCLUDED	1	
HINGES PER DOOR	2	

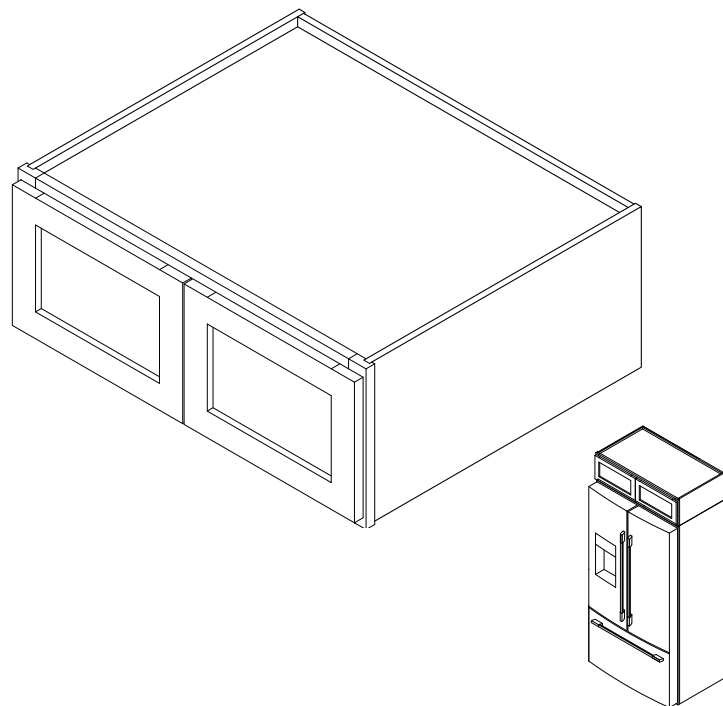


OPTIONS: Available in increments of 3".

NOTE: Options available to invert the cabinet, making it a sink base with a functioning drawer on bottom.

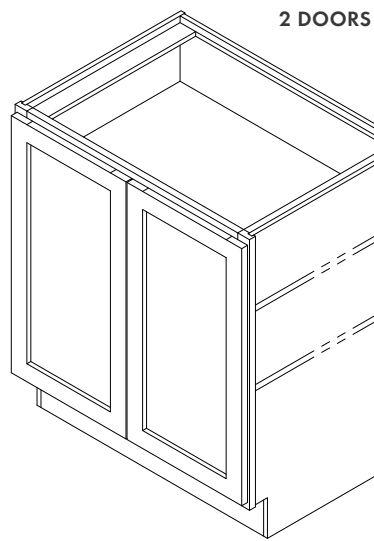
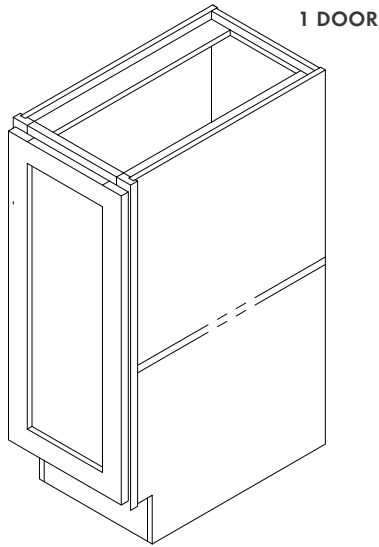
REFRIGERATOR WALL

WIDTH	30" - 39"	
HEIGHT	12" - 24"	
CABINET DEPTH	24"	
SHELF DEPTH	22"	
SHELVES INCLUDED PER CABINET HEIGHT	12" - 15"	0
	18+	1
HINGES PER DOOR	12" - 24"	2



NOTE: Refrigerator wall cabinet needs to be mounted on both sides for stability. To a refrigerator panel, for example.

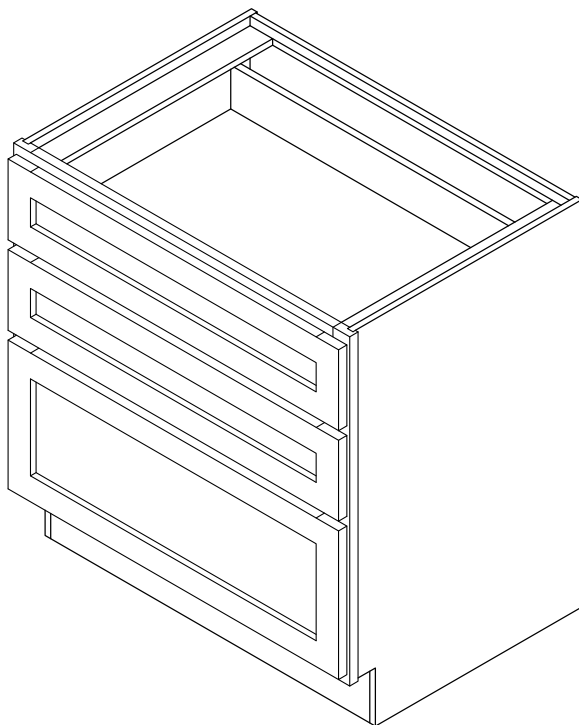
CABINET SPECIFICATIONS



FULL HEIGHT VANITY BASE - TALL

WIDTH	12" - 36"
HEIGHT	34.5" (/Tall)
TOEKICK	4.5" tall 2.125" deep
CABINET DEPTH	21"
SHELF DEPTH	19"
SHELVES INCLUDED	1
HINGES PER DOOR	2

OPTIONS: Available in increments of 3".



3 DRAWER VANITY BASE

WIDTH	12" - 30"
HEIGHT	31.5"
TOEKICK	4.5" tall 2.125" deep
CABINET DEPTH	21"

DETAILS: On a standard vanity cabinet the top two drawers are of an equal shallow depth while the bottom drawer is deeper.

OPTIONS: Available in increments of 3".

SELECT

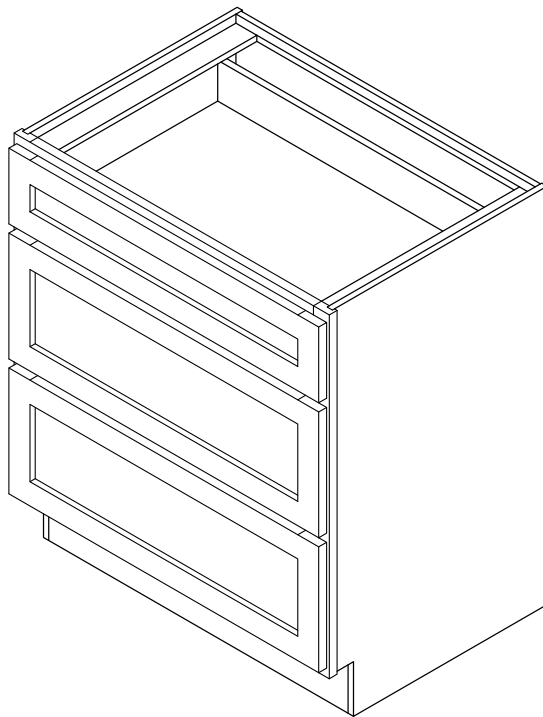
CABINET SPECIFICATIONS

3 DRAWER VANITY BASE - TALL

WIDTH	12" - 30"
HEIGHT	34.5" (/Tall)
TOEKICK	4.5" tall 2.125" deep
CABINET DEPTH	21"

DETAILS: On a tall vanity cabinet the top drawer is shallow while the bottom two drawers are deeper and of equal size.

OPTIONS: Available in increments of 3".

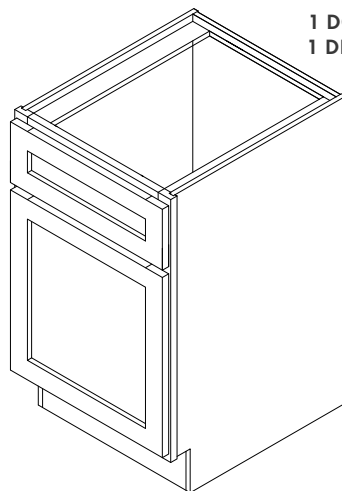


VANITY SINK BASE

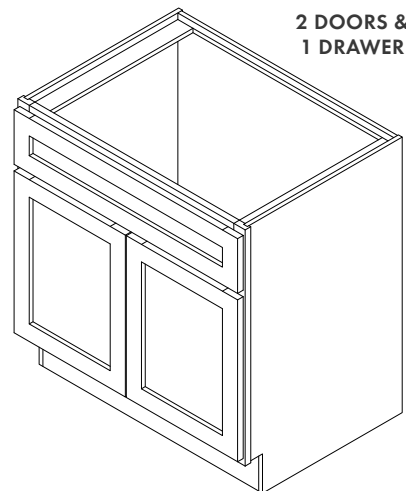
WIDTH	18" - 36"
HEIGHT	31.5" - 34.5" (/Tall)
TOEKICK	4.5" tall 2.125" deep
CABINET DEPTH	21"
SHELVES INCLUDED	0
HINGES PER DOOR	2

OPTIONS: Available in increments of 3" from sizes 18" - 36".

NOTE: No shelves and no holes for shelves are provided. False drawer attached.

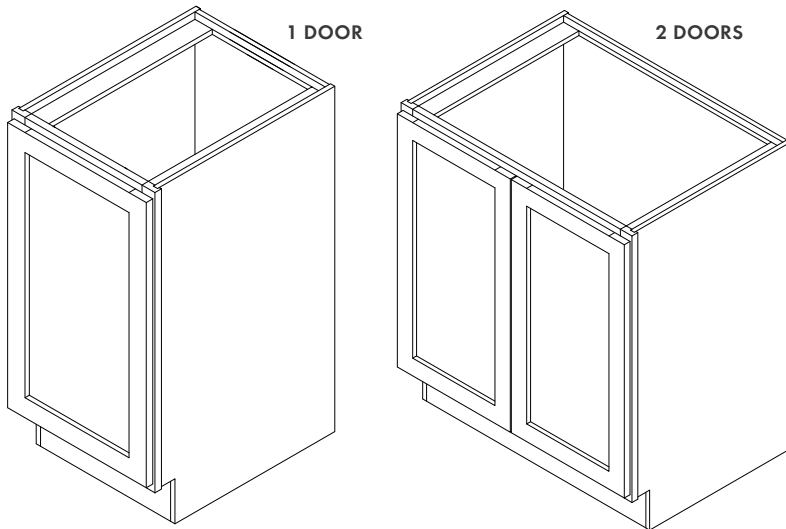


1 DOOR &
1 DRAWER



2 DOORS &
1 DRAWER

CABINET SPECIFICATIONS

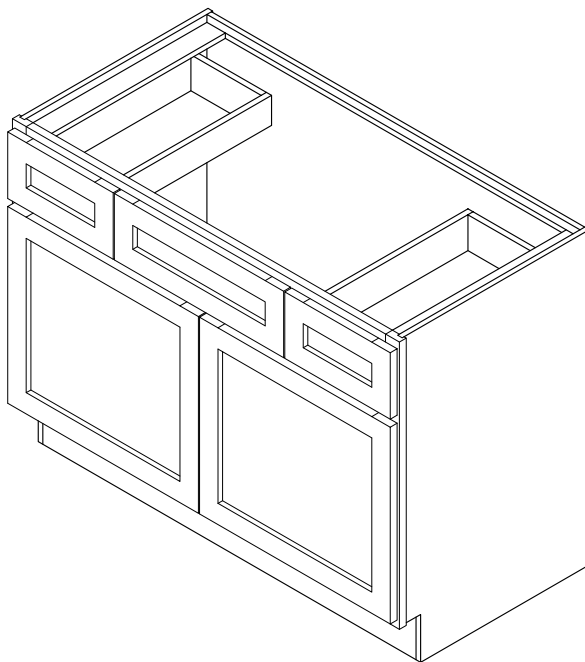


FULL HEIGHT VANITY SINK BASE - TALL

WIDTH	18" - 36"
HEIGHT	31.5" - 34.5" (/Tall)
TOEKICK	4.5" tall 2.125" deep
CABINET DEPTH	21"
SHELVES INCLUDED	0
HINGES PER DOOR	2

OPTIONS: Available in increments of 3" from sizes 27" - 39".

NOTE: No shelves and no holes for shelves are provided.



COMBO UNITS

WIDTH	36", 42"
HEIGHT	31.5"
TOEKICK	4.5" tall 2.125" deep
CABINET DEPTH	21"
SHELVES INCLUDED	0
HINGES PER DOOR	2

NOTE: No shelves and no holes for shelves are provided.

SELECT

CABINET SPECIFICATIONS

VANITY ASSEMBLY

WIDTH 30", 36", 48", 60"

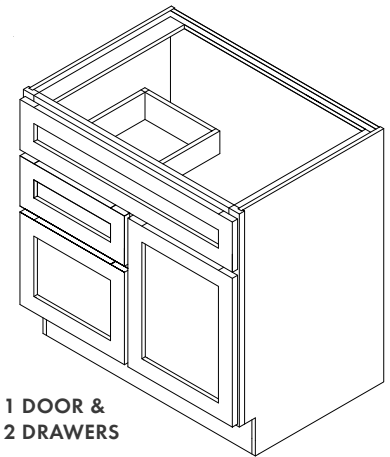
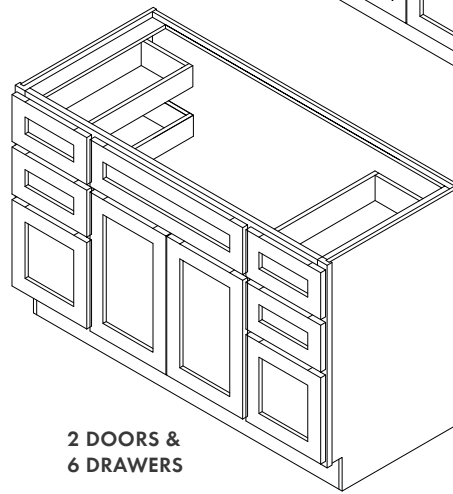
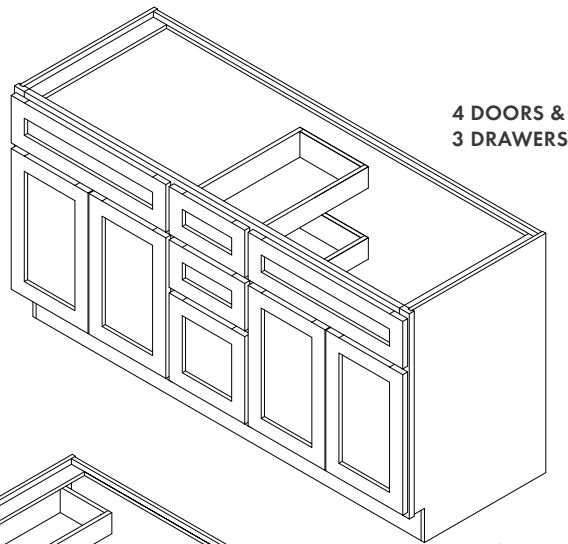
HEIGHT 31.5" (/Tall)

TOEKICK 4.5" tall
2.125" deep

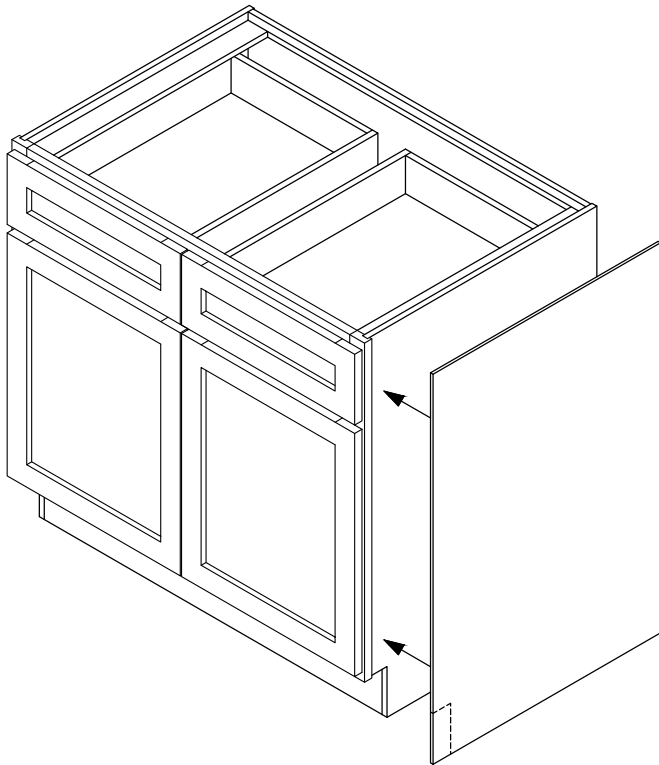
CABINET DEPTH 21"

SHELVES INCLUDED 0

HINGES PER DOOR 2



CABINET SPECIFICATIONS



BASE SKIN

WIDTH 23.25"

HEIGHT 34.5"

WALL SKIN

WIDTH 11.25"

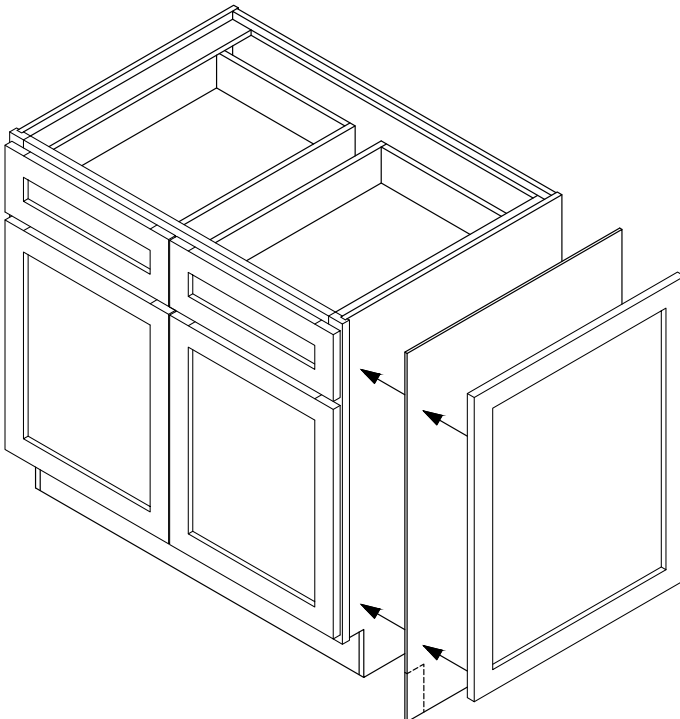
HEIGHT 30" 36" 42"

TALL SKIN

WIDTH 23.25"

HEIGHT 96"

DETAILS: Skins are needed for exposed cabinet ends to complete the finished look.



PLANT ON DOOR

PD1230 11.5" width 28.5" height

PD1236 11.5" width 34.5" height

PD1242 11.5" width 40.5" height

PD2430 23.5" width 28.5" height

DETAILS: Plant on doors match the doorstyle of cabinets they are mounted to, giving a consistent look around corners.

OPTIONS: Available in custom sizes. When ordering custom sizes, send exact measurements with price request.

NOTE: Plant on doors require corresponding skin underneath.

SELECT

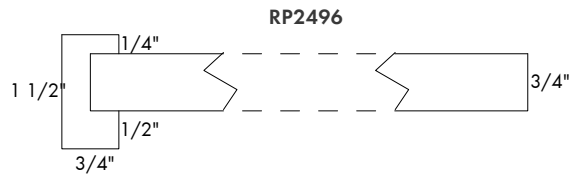
CABINET SPECIFICATIONS

REFRIGERATOR PANEL

WIDTH 24", 30"

HEIGHT 96"

DETAILS: Finished on the front edge and both sides.

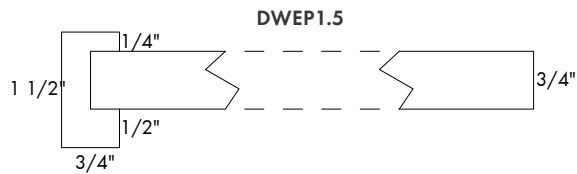


DISHWASHER END PANEL

WIDTH 24"

HEIGHT 34.5"

DETAILS: Finished on the front edge and both sides.



DWE1.5



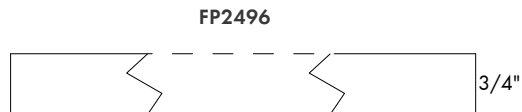
DWE1.75

FINISHED PANEL

WIDTH 24", 30"

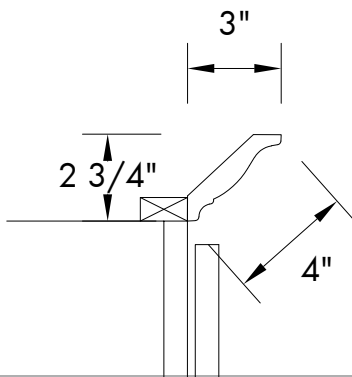
HEIGHT 96"

DETAILS: Finished on the front edge and both sides.

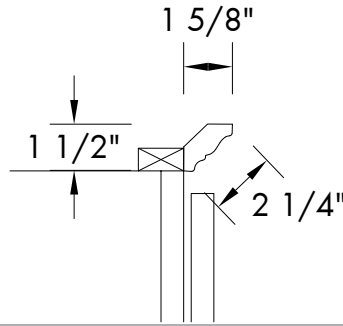


FP2496

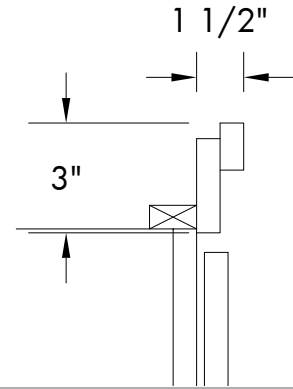
PLEASE REFERENCE THESE SPEC DRAWINGS AND DIMENSIONS WHEN ORDERING TRIM AND MOLDINGS.



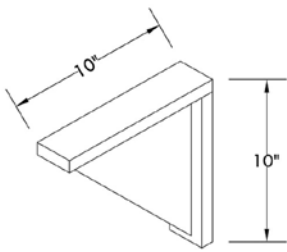
CROWN 1



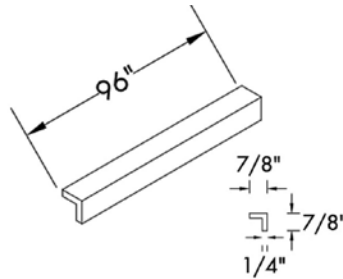
CROWN 2



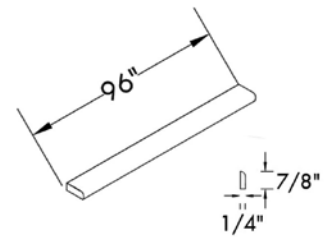
CROWN 5



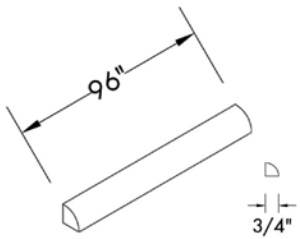
CORBEL



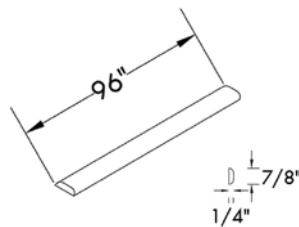
MOC90



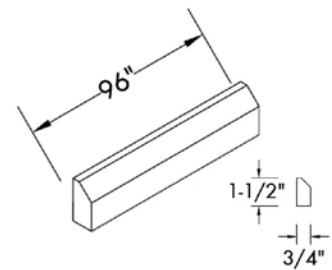
SCRIBE



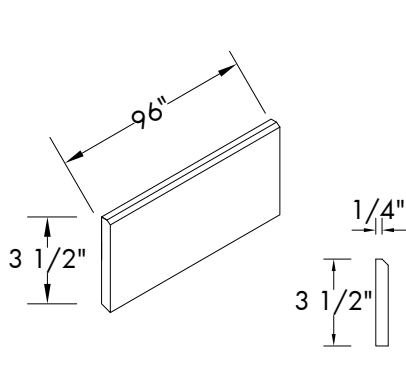
QTRRND



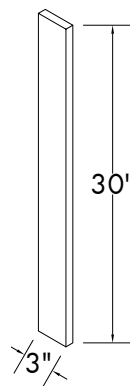
BATTEN



CTOP



SPLASH



FILLER

SELECT

SELECT SERIES MODIFICATIONS

EXTRA SHELVES

If an extra shelf is needed for any cabinet, please use this format for the item code using the corresponding cabinet:

(Cabinet type) (Cabinet Width in Inches) - SHELF

(Ex: B30-SHELF, VB27-SHELF, W36-SHELF)

PLEASE NOTE: Wall Shelf is 10" deep, Base shelf is 22" deep. See item list for extra shelf SKU's.

DEPTH MODIFICATIONS Specify total depth in 1" increments.

INCREASE DEPTH

- Wall - 24" max
- Base - 29" max (Drawers must be modified)
- Tall - 29" max

DECREASE DEPTH

- Wall - 6" min
- Base - 12" min (Drawers must be modified)
- Tall - 12" min

MODIFY FOR COOKTOP (NO CHARGE)

This notation will fix the top drawer of the corresponding cabinet in place. Allowing you to use a standard base, or drawer bank as a cooktop cabinet. Please note that if a sink base is ordered, it will not include shelves.

- It is not Founder's Choice responsibility to know if tip out trays will work with your cook top (The trays protrude past the face frame into the cabinet 1 1/2").
 - For cooktops with a Downdraft vent, we recommended a cabinet depth modification of at least 24". You will need to note this appropriately.
- It is possible to maintain a top drawer with a cooktop, however it will need to be custom fit on-site.

TOEKICK

The toekick of the cabinet may be modified in any way. Use the code MOD-TOE and describe your intentions using the terms listed in the Glossary.

The following section is provided to help our Dealers communicate with the Founder's Choice Order Desk. Please use these approved terms when submitting any orders.

ACCESSORIES

This term refers to components that are not whole cabinets and often not a wood product. Please see the Accessories tab on your order form for more details.

ADA - ACCESSIBLE

The Americans with Disabilities Act provides guidelines to help ensure buildings and rooms are accessible to all. More information can be found at the following website:
www.ada.gov/2010ADAstandards_index.htm

ADJUSTABLE SHELVES

Moveable shelves that can be placed in a wide range of cabinets using shelf pins inserted into pre-drilled holes. Holes are drilled at 1 1/4" apart, the quantity of holes varies with cabinet size. The holes will be visible from a distance.

ANTIQUE

In order to enhance or modify the look of a cabinet door, an accent stain is applied over the entire door and wiped off. This leaves a thin coat of stain on the surface and thicker colorant build up in the corners, deep grooves and wood grains, creating a patina appearance on the entire door face.

BATTEN

This molding is designed to cover the seam between two panels or skins. It is a thin, narrow strip of wood that is rounded on both long edges.

BEAD BOARD

Panels with long, parallel, vertical grooves used for decorative accents. Founder's Choice beaded panels have a 1 1/2" spacing from center to center on the beaded grooves.

BLIND CORNER

A cabinet type (upper or lower) designed to install into a corner of a design. Another cabinet will install directly adjacent to it – hiding the blind portion. This gives access to the corner area providing more storage.

BUILD UP

Extra material added to an existing surface in order to make it thicker.

BUN FOOT

A round decorative foot that gives a cabinet a furniture like appearance.

CABINET DEPTH

Cabinet depth is specifically the depth of the cabinet box and does not include the thickness of the doors or drawer faces. Any modification to depth should specify the intended depth. Please do NOT say "Decrease depth by 3 inches", please use "Decrease depth to 21 inches".

CUT FOR GLASS (CFG)

A cabinet door must be custom made in order for glass to be used as the center panel, this must be specified before the doors are made.

CUT FOR GLASS - CLEAR

The 'Clear' option indicates a door that is only a frame and has no center panel. The inside profile and outside profile will match the doorstyle selected.

CUT FOR GLASS - DIVIDED

The 'Divided' mullion pattern has at least two mullions that cut through the middle of the frame to form a grid. The quantity adjusts automatically depending on the overall cabinet size.

CUT FOR GLASS - FRAMED

The 'Framed' mullion has 4 mullions that form a pattern inside the perimeter of the frame. Please refer to the diagram on the instructions tab of the order form for an illustration.

COLOR MATCHED INTERIOR

In some applications (including all painted jobs) the particular wood species of the interior of a cabinet is not crucial. Color matched interior options are for those jobs that do not require the color match to be perfect (behind cut for glass doors in darker stains).

CONCEALED HINGE

Our concealed hinges are attached to the back and inside of the cabinet door as well as the inside edge of the face frame – they are not visible when looking at the outside of the cabinet. The door of the cabinet must be pre-drilled with a 1 1/4" wide hole in order to accept the hinge.

CONVERSION VARNISH

A wood finish that consists of a two part mixture that hardens for increased durability and efficiency.

COPE & STICK CONSTRUCTION

A common method of crafting doors that requires the use of interlocking joints at the four corners. The vertical stiles of the run, the full height of the door, and the horizontal rails run the distance between the two stiles. The exact shape of the joint affects the inside profile of the doorstyle.

CORBEL

A structural and or aesthetic part that is used as a support mechanism for mantels, bar tops, shelves etc. This is often needed with countertop overhangs.

CROWN BACKER

A piece of lumber that provides adequate backing for the Crown Molding.

CROWN MOLDING

Decorative molding applied to the upper edge of an overhead cabinet to provide a finished or decorative look. Please see Pages 62 and 90 for styles and heights of Founder's Choice crown molding options.

CROWN STARTER

Crown starter is functionally the same as a 3" by 96" filler, when installed as a base to the crown, it adds both height and detail.

DOOR AND FRAME ONLY

At times, it is necessary to order only a cabinet door with a frame. This will be delivered as a door mounted with soft-close hinges to a frame.

DOOR ONLY

At times, it is necessary to order only a cabinet door. "Door only" will NOT include hinges. It is not an economical product for Founder's Choice to provide a project that consists of only cabinet doors.

DOVETAIL

This is a strong, elegant way to attach two hardwood panels to each other. The method requires cutting 'V' (dovetail) shaped profiles in one part as well as the reverse profile in the other part for the two to join together. This interlocking joint is used on all Founder's Choice drawer boxes.

DRAWER BOX

5 sided box that slides in and out of the cabinet for easy access. At Founder's Choice, we support all of our drawer boxes with soft-close, undermount drawer slides.

DRAWER FACE AND DRAWER BOX ONLY

At times, it is necessary to order a drawer and drawer box. This will include front attachment clips for soft-close drawer slides, but will NOT include the metal slides themselves.

DRAWER FACE ONLY

At times, it is necessary to order a drawer face without a drawer box. This will not include any other component than the drawer face.

DRAWER FRONT

Finished face applied to the front of a drawer box that mimics the look of a door.

DUAL TONE

For aesthetic reasons, it may be desired to order a cabinet with a different color door than cabinet box. With the Dual Tone option, the cabinet frame and box will match the order specifications; cabinet doors and drawer faces will be a second color (specified in the notes).

END GRAIN

The edge of a board where the grain shows a tight, compact profile that is perpendicular to the growth of a tree. This edge is more absorbent and typically not as smooth to the touch.

END PANEL

The outside, vertical cabinet part that supports the horizontal panels. May also be called: side panel, side or end.

FACE FRAME

The wood frame attached to the front of the cabinet box to give it structural integrity and provide firm mounting support for doors and drawers.

FACE FRAME OR FRAMED CONSTRUCTION

A cabinet construction method that uses a hardwood frame affixed to a plywood box in order to produce a freestanding cabinet with structural integrity and a classic aesthetic.

FILLERS

A hardwood board made to be installed next to the cabinet's frame. Fillers are used to space cabinets away from walls or other cabinets or to be used as decorative accents.

FINISHED BOTTOM

The bottoms of cabinets are not expected to have a polished look. If wall cabinets are being installed where the bottoms are readily visible, extra steps should be taken to provide a finished look. This is far easier to accomplish in the field with a panel that can span the width of multiple cabinets, as opposed to finishing the bottoms of individual cabinets and having to mate flat surfaces together in the field.

FINISHED INTERIOR

Founder's Choice cabinet interiors are made with our Ultra Violet light-cured, highly durable, clear finish over white birch veneer. This process produces a high quality, affordable surface that will hold up to daily wear and tear. Interiors matching the exterior are available by selection on the order form.

FINISHED INTERIOR - SPECIES MATCHED (SMI)

A Species Matched Interior adds continuity to your cabinets when you have an open shelf. It can greatly improve the overall design and aesthetic of your space.

FINISHED INTERIOR - COLOR MATCHED (CMI)

Some applications (including all painted jobs) the particular wood species of the interior of a cabinet is not crucial. The color matched interior option is for the jobs that do not require the color match to be perfect (behind cut for glass doors in darker stains).

FIXED SHELVES

Founder's Choice dados our fixed shelves into the side, back and face frame of the cabinet for the best rigidity and stability. These shelves cannot be moved.

FIXED TOP DRAWER

In the case of a cooktop or other reason, it may be needed to fix a top drawer in place. The drawer face will be screwed on from the back and not easily removable. Use range base modification – item code MOD-B-RNG.

FLAT PANEL

Refers to a flat panel in a frame and panel construction cabinet door or drawer. Also known as a recessed panel.

FULL EXTENSION DRAWER GUIDE

Cabinet drawer guides enable the drawer to extend outside the cabinet and gives access to the full area of the drawer box. This is a standard for Founder's Choice.

GLAZE

In order to enhance or modify the look of a cabinet door, an accent stain is applied into the seams and details of the door, leaving behind a build up of colorant. Glaze is designed to add depth and dimension that highlights door detail and colors.

GUSSET

A block spanning the distance from one panel to another in attempt to strengthen, typically a triangle. Beware of cabinetry whose structural integrity depends on only gussets.

HINGE LEFT (HL)

When facing the cabinet, hinges are located on the left.

HINGE RIGHT (HR)

When facing the cabinet, hinges are located on the right.

I-BEAM CONSTRUCTION

This is a strong construction method used in cabinetry. The method calls for full length supporting boards running from the front to the back of the cabinet creating an 'I' from the side, which strengthens the box.

KITCHEN DEPTH

Founder's Choice kitchen cabinets are 24" deep from the front of the face frame to the back edge of the cabinet.

KNOB

A hardware item, typically round in shape, attached to doors and drawers for function and decoration.

LIGHT RAIL

This decorative molding is usually applied to the bottom of the wall cabinets to provide a finished look. Specifically designed to help mask the installation of under cabinet lighting.

MDF (MEDIUM DENSITY FIBERBOARD)

An engineered composite wood product made by reprocessing wood fibers to produce a flat, stable panel or molding that can be used where structural integrity is not important (usually abbreviated as MDF).

MINERAL STREAK

A discoloration, typically a dark streak, in any species of wood caused by mineral deposits the tree extracts from the soil.

MULLION

Vertical element that forms a division in a frame, this could be a frame and panel cabinet door or a cabinet face frame.

NATURAL FINISH

A transparent clear coat that does not seriously alter the original color or grain of the wood. Leaving the wood unstained will increase the amount of color change caused by sun exposure.

NO DOORS (MOD-NODOOR)

Cabinets may be ordered without doors when they will be used as an open shelf. Ordering a cabinet without doors will ensure that hinges have not marked the frame of the cabinet. 20% discount applies to Craftsman cabinets ordered without doors. There is not a discount for Select cabinets ordered without doors.

PLYWOOD

A material made of thin layers of wood, glued and pressed together to form a strong panel.

RAIL

The horizontal pieces of frames, such as face frames and door frames.

RAISED PANEL

Refers to a doorstyle type where a thick center panel is cut to be flush with the door frame. This doorstyle type has the opportunity to show much more depth than a recessed panel.

RECESSED PANEL

Refers to a flat panel in a frame and panel construction door or drawer. Also known as flat panel.

REVEAL

Facing the cabinet, the distance between the edge of the door and the edge of the face frame; this distance greatly impacts the overall look of the kitchen.

REVERSED RAISED PANEL

This type of doorstyle looks like a recessed panel from the front and a raised panel from the back. When ordering a Rustic species selection, the doors will be made reversed raised.

ROLL OUT SHELF

Roll out shelves provide great easy-access storage. This is a 4" deep dovetail drawer box mounted on full extension soft-close guides. Founder's Choice cabinetry has pre-planned mounting locations for rollout shelves - they are the same locations as a 3 drawer base cabinet.

ROUND OVER

Describes changing a 90° edge of a board or panel to a radiused edge. This can be done with a cutting bit or by sanding. A measurement usually accompanies this term – a '1/2" round over' is an edge that was taken from square corner and 1/2" of flat distance was rounded.

SCRIBE MOLDING

Scribe molding is a thin, narrow strip of wood that is rounded on one long edge, and square on the other. This molding is designed to cover the seam between a cabinet and a wall, it also has other uses that all contribute to the finished look of a design.

SHIM

A wedge of wood used to adjust the position of one part to another.

SINGLE DOUBLE DOOR MOD: MOD-SINGLE DOUBLE DOOR

Change cabinet from a double door to a single door. Applies to 24" wide cabinets (No warping warranty).

SINGLE DOUBLE DRAWER MOD: MOD-SINGLE DOUBLE DRAWER

Change cabinet from double drawer to a single drawer. Applies to cabinet widths 33", 36", 39".

SPECIALTY SKIN

There may be a need to order a specialized skin size, please send in a custom price quote. Wood grain will always run lengthwise.

STAIN

A finish applied to natural wood cabinets in order to change the color. Founder's Choice offers the service of matching a stain to any color desired.

STILE

The vertical pieces of frames, such as face frames and door frames.

TAMBOUR

A sliding system of narrow wood strips, fastened together, that cover an opening. Most remembered on a 'roll top desk'.

TOEKICK CUTOUT

A term used to describe the recessed cut out area at the bottom of base, tall and vanity cabinets. It may also be referred to as a 'toe space'.

TOEKICK CUTOUT MODIFICATION

In some applications, the toekick area is more functional or aesthetically pleasing if it is continued around the side of the cabinet. Use the Item Code 'MOD-TOE' and note the side with desired cutout.

TOEKICK REMOVAL (MOD-NOTOE)

Removes Toekick from the cabinet (will reduce overall height by 4 1/2"). Be sure to know what your overall cabinet height is if you subtract the toekick.

TOEKICK SKIN

Finished material attached to the cabinet toe space is referred to as "Toekick Skin" or "Toe Skin".

TOEKICK, FURNITURE TOEKICK MODIFICATION

This is offered as opposed to a toekick cutout. The face frame of the cabinet is extended to be flush with the bottom of the cabinet. The cabinet doors do not change size.

TOEKICK, LOOSE TOEKICK

Toekick may be modified to be provided as a separate part. Please use the item code MOD-TOE and specify in the notes "loose toekick". Please note that loose toekicks are automatic on tall cabinets.

VANITY DEPTH

Founder's Choice vanity cabinets are 21" deep from the front of the face frame to the back edge of the cabinet.

WOOD MOVEMENT

Wood has a tendency to expand and contract across the grain as its moisture content fluctuates in response to changes in relative humidity. Temperature and pressure also has an impact on the fluctuation.

CRAFTSMAN VS SELECT: AT A GLANCE

	SELECT	CRAFTSMAN
LEAD TIME	<ul style="list-style-type: none"> About 4 weeks 	<ul style="list-style-type: none"> About 6 weeks
CABINET INTERIOR	Box is constructed from 1/2" thick plywood. Shelves are made from 3/4", edgebanded Plywood. Interior is UV finish White Birch Plywood. All parts are CARB compliant: no added formaldehyde.	
CABINET	<ul style="list-style-type: none"> 1/2" Sides, backs and bottoms are dadoed, glued and nailed. Faceframe is 3/4" hardwood. 	
CONSTRUCTION	Faceframe cabinet with I-beam and Dado construction.	
FRAME	3/4" thick faceframe, dadoed, glued and nailed.	
HINGES	<ul style="list-style-type: none"> Six-way adjustable, integrated soft-close hinges 110-degree door opening. 	
SHELVES	3/4" full depth adjustable shelves for all cabinets, plastic earthquake-proof shelf clip.	
DESIGN DETAILS	Finished ends must be specified, or use field applied panels, skins or plant on doors. Cabinets are constructed with integral toekick. A no toekick construction modification is available.	
DRAWER BOX + SLIDES	<ul style="list-style-type: none"> Standard drawer is a 5/8" Birch drawer box, standard dovetail joinery, 9mm thick captive plywood bottom. Full-extension undermount soft-close glides with 75 lb. load rating. 	
MODIFICATIONS	<ul style="list-style-type: none"> Decrease and increase depth modifications available in 1/4" increments. 	<ul style="list-style-type: none"> Decrease and increase modifications available. Custom capabilities.
DOORSTYLES	<ul style="list-style-type: none"> Shaker Doorstyle Grandview Doorstyle 	<ul style="list-style-type: none"> 13 total doorstyles, custom available Multiple edge profile options, solid wood, painted or stained.
WOOD DOORS	<ul style="list-style-type: none"> White Birch hardwood 	<ul style="list-style-type: none"> White Birch, Alder, Rustic Alder, Beech, Rustic Beech, Cherry, Rustic Cherry, Maple, White Oak
WOOD FINISH OPTIONS	<ul style="list-style-type: none"> 3 in-stock stains and 6 standard stains 1 in-stock paint and 6 standard paints Custom stains and paints available 	<ul style="list-style-type: none"> Over 50 combinations of standard stains on wood species offered. 6 paint colors. Custom stains & paints available. Glazing Available. Distressing, Sand Through, and other effects are available by special quote.



BUILT IN WASHINGTON



© 2018 Founder's Choice Cabinetry, INC.

6002 McKinley Avenue
Tacoma, Washington 98404

253.475.5544
www.founderschoicecabinetry.com